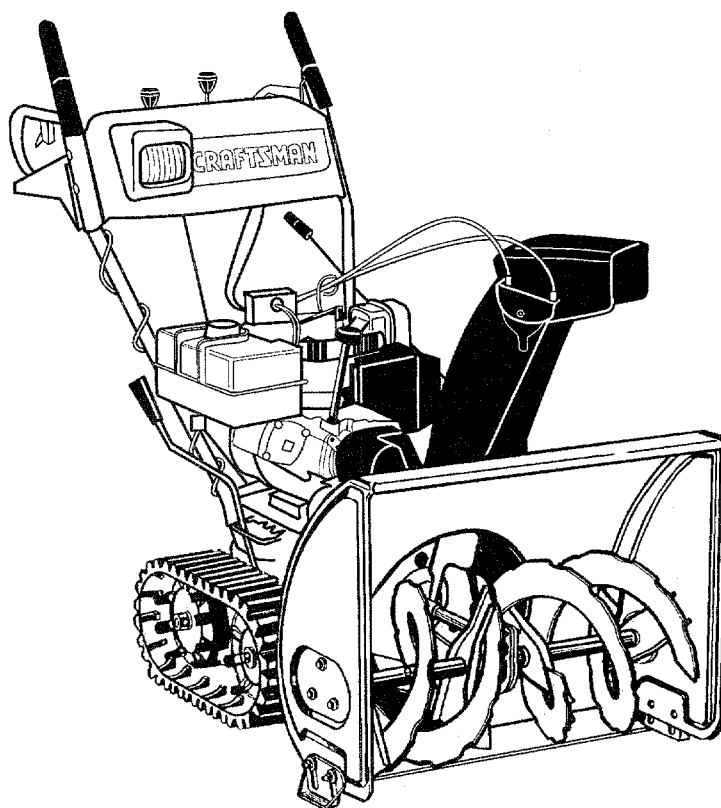


Owner's Manual

CRAFTSMAN

8.5 Horse Power
26" Two-Stage Track Drive
Snow Thrower

Model No.
247.885500



CAUTION: Before using this product, read this manual and follow all Safety Rules and Operating Instructions.

Sears, Roebuck And Co., Hoffman Estates, IL 60179, U.S.A.

SAFETY

ASSEMBLY

OPERATION

MAINTENANCE

ADJUSTMENTS

STORAGE

PARTS LIST

TABLE OF CONTENTS

Content	Page	Content	Page
Warranty Information	2	Maintenance	17
Safe Operation Practices	3	Service & Adjustment	20
Accessories	5	Off-Season Storage	24
Assembly	7	Trouble-Shooting	25
Operation	12	Repair Parts	26

WARRANTY INFORMATION

Two -Year Warranty on Craftsman Snow Thrower

For two years from the date of purchase, when this Craftsman Snow Thrower is maintained, lubricated and tuned up according to the instructions in the owner's manual, Sears will repair, free of charge, any defect in material and workmanship.

If this Craftsman snow thrower is used for commercial or rental purposes, this warranty applies for only 30 days from the date of purchase.

This warranty does not cover:

Expendable items which become worn during normal use, such as skid shoes, shave plate and spark plugs.

Repairs necessary because of operator abuse or negligence, including bent crankshafts and the failure to maintain the equipment according to the instructions contained in the owner's manual.

WARRANTY SERVICE IS AVAILABLE BY RETURNING THE CRAFTSMAN SNOW THROWER TO THE NEAREST SEARS SERVICE CENTER/DEPARTMENT IN THE UNITED STATES.

This warranty applies only while this product is in use in the United States.

This warranty gives you specific legal rights and you may also have other rights which may vary from state to state.

SEARS, ROEBUCK AND CO., D/817WA, HOFFMAN ESTATES, IL 60179

PRODUCT SPECIFICATIONS

Horsepower:	8.5
Engine Oil	SAE 5W30 oil
Fuel Capacity:	1 gallon
Spark Plug:	RJ-19LM
Engine:	143.988501

MODEL NUMBER

Model Number	247.885500
Serial Number.....
Date of Purchase
Record both serial number and date of purchase and keep in a safe place for future reference.	

SAFE OPERATION PRACTICES



This symbol points out important safety instructions which, if not followed, could endanger the personal safety and/or property of yourself and others. Read and follow all instructions in this manual before attempting to operate your snow thrower. Failure to comply with these instructions may result in personal injury. When you see this symbol—**heed its warning.**



DANGER: Your snow thrower was built to be operated according to the rules for safe operation in this manual. As with any type of power equipment, carelessness or error on the part of the operator can result in serious injury. If you violate any of these rules, you may cause serious injury to yourself or others.



This unit is equipped with an internal combustion engine and should not be used on or near any unimproved forest-covered, brush-covered or grass-covered land unless the engine's exhaust system is equipped with a spark arrester meeting applicable local or state laws (if any). If a spark arrester is used, it should be maintained in effective working order by the operator.

In the State of California the above is required by law (Section 4442 of the California Public Resources Code). Other states may have similar laws. Federal laws apply on federal lands. A spark arrester for the muffler is available through your nearest Sears Authorized Service Center (See the REPAIR PARTS section of this manual.)

TRAINING

- Read this owner's guide carefully in its entirety before attempting to assemble or operate this machine. Be completely familiar with the controls and the proper use of this machine before operating it. Keep this manual in a safe place for future and regular reference and for ordering replacement parts.
- Never allow children under 14 years old to operate a snow thrower. Children 14 years old and over should only operate a snow thrower under close parental supervision. Only persons well acquainted with these rules of safe operation should be allowed to use your snow thrower.
- No one should operate this unit while intoxicated or while taking medication that impairs the senses or reactions.
- Keep the area of operation clear of all persons, especially small children and pets.
- Exercise caution to avoid slipping or falling, especially when operating in reverse.

PREPARATION

- Thoroughly inspect the area where the equipment is to be used and remove all door mats, sleds, boards, wires and other foreign objects.
- Do not operate equipment without wearing adequate outer garments for winter. Do not wear jewelry, long scarfs or other loose clothing which could become entangled in moving parts. Wear footwear which will improve footing on slippery surfaces.
- Before working with gasoline, extinguish all cigarettes and other sources of ignition. Check the fuel before starting the engine. Gasoline is an extremely flammable fuel. Do not fill the gasoline tank indoors, while the engine is running, or until engine has been

allowed to cool at least two minutes. Replace gasoline cap securely and wipe off any spilled gasoline before starting the engine as it may cause a fire or explosion.

- Use a grounded three wire plug-in for all units with electric drive motors or electric starting motors.
- Adjust collector housing height to clear gravel or crushed rock surface.
- Never attempt to make any adjustments while engine is running (except where specifically recommended by manufacturer).
- Let engine and machine adjust to outdoor temperature before starting to clear snow.
- Always wear safety glasses or eye shields during operation or while performing an adjustment or repair, to protect eyes from foreign objects that may be thrown from the machine in any direction.

OPERATION

- Do not put hands or feet near or under rotating parts. Keep clear of discharge opening and auger at all times.
- Exercise extreme caution when operating on or crossing gravel drives, walks, or roads. Stay alert for hidden hazards or traffic.
- Do not carry passengers.
- After striking a foreign object, stop the engine, remove wire from the spark plug and thoroughly inspect the snow thrower for any damage. Repair the damage before restarting and operating the snow thrower.
- If the snow thrower starts to vibrate abnormally, stop the engine and check immediately for the cause. Vibration is generally a warning of trouble.
- Stop the engine whenever you leave the operating position, before unclogging the collector/impeller housing or discharge guide and before making any repairs, adjustments, or inspections. Never place your

hand in the discharge or collector openings. Use a stick or wooden broom handle to unclog the discharge opening.

- Take all possible precautions when leaving the unit unattended. Disengage the collector/impeller, stop the engine and remove the key.
- When cleaning, repairing, or inspecting, make certain collector/impeller and all moving parts have stopped. Disconnect spark plug wire and keep away from plug to prevent accidental starting.
- Do not run the engine indoors, except when starting it and/or transporting the snow thrower in or out of building. Open doors before starting the engine in that case. Exhaust fumes are dangerous.
- Do not clear snow across the face of slopes. Exercise extreme caution when changing direction on slopes. Do not attempt to clear steep slopes.
- Never operate the snow thrower without guards, plates or other safety protection devices in place.
- Never operate the snow thrower near glass enclosure, automobiles, window wells, drop off, etc., without proper adjustments of snow thrower discharge angle. Keep children and pets away.
- Do not overload machine capacity by attempting to clear snow at too fast a rate. Never operate the machine at high transport speeds on slippery surfaces. Look behind and use care when backing.
- Never direct discharge at bystanders or allow anyone in front of unit while throwing snow.
- Disengage power to collector/impeller of the snow thrower when transporting it or when the unit is not in use.
- Use only attachments and accessories (such as wheel weights, counter weights, cabs, etc.) approved

by the snow thrower manufacturer.

- Never operate the snow thrower without good visibility or light. Always be sure of your footing and keep a firm hold on the handles. Walk, never run.
- Muffler and engine become hot and can cause severe burn injury. Do not touch the muffler or the engine while starting or operating the snow thrower.

MAINTENANCE AND STORAGE

- Check shear bolts, engine mounting bolts, etc., at frequent intervals for proper tightness, thus ensuring that the equipment is in safe working condition.
- Never store the machine with fuel in the fuel tank inside a building where ignition sources are present, such as hot water heaters, space heaters, clothes dryers and the like. Allow engine to cool before storing in any enclosure.
- Always refer to owner's guide instructions for important details if the snow thrower is to be stored for an extended period.
- Run machine a few minutes after throwing snow to prevent freeze-up of the collector/impeller.
- Check clutch controls periodically to verify that these engage and disengage properly and readjust if necessary. Refer to Service and Adjustments section page 20 of this owner's guide.

YOUR RESPONSIBILITY

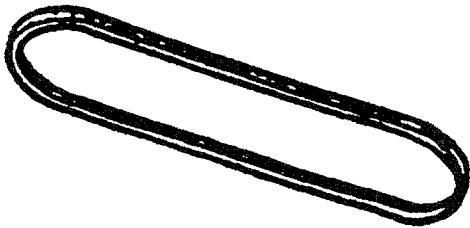
- Restrict the use of this power machine to persons who read, understand and follow the warnings and instructions in this manual and on the machine.

Following are representations of some of the safety labels on your Craftsman snowthrower. Please follow the instruction on these labels and maintain safety while using or servicing the equipment.

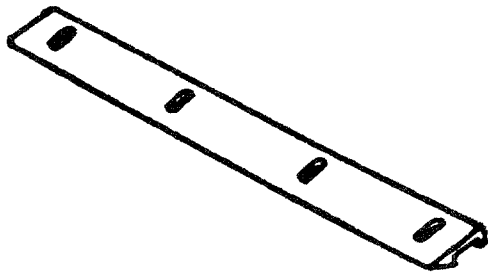


ACCESSORIES

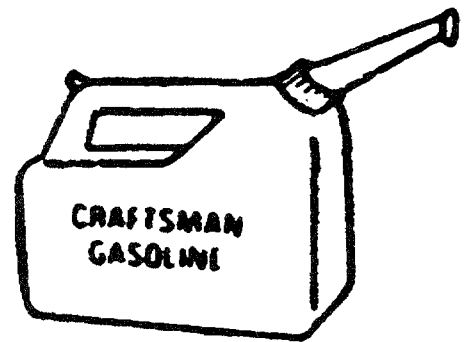
These accessories were available when the snow thrower was purchased. They are also available at most Sears retail outlets, catalog and service centers. Most Sears stores can order repair parts for you when you provide the model number of your snow thrower.



Belt



Scraper Bar



Gasoline Can



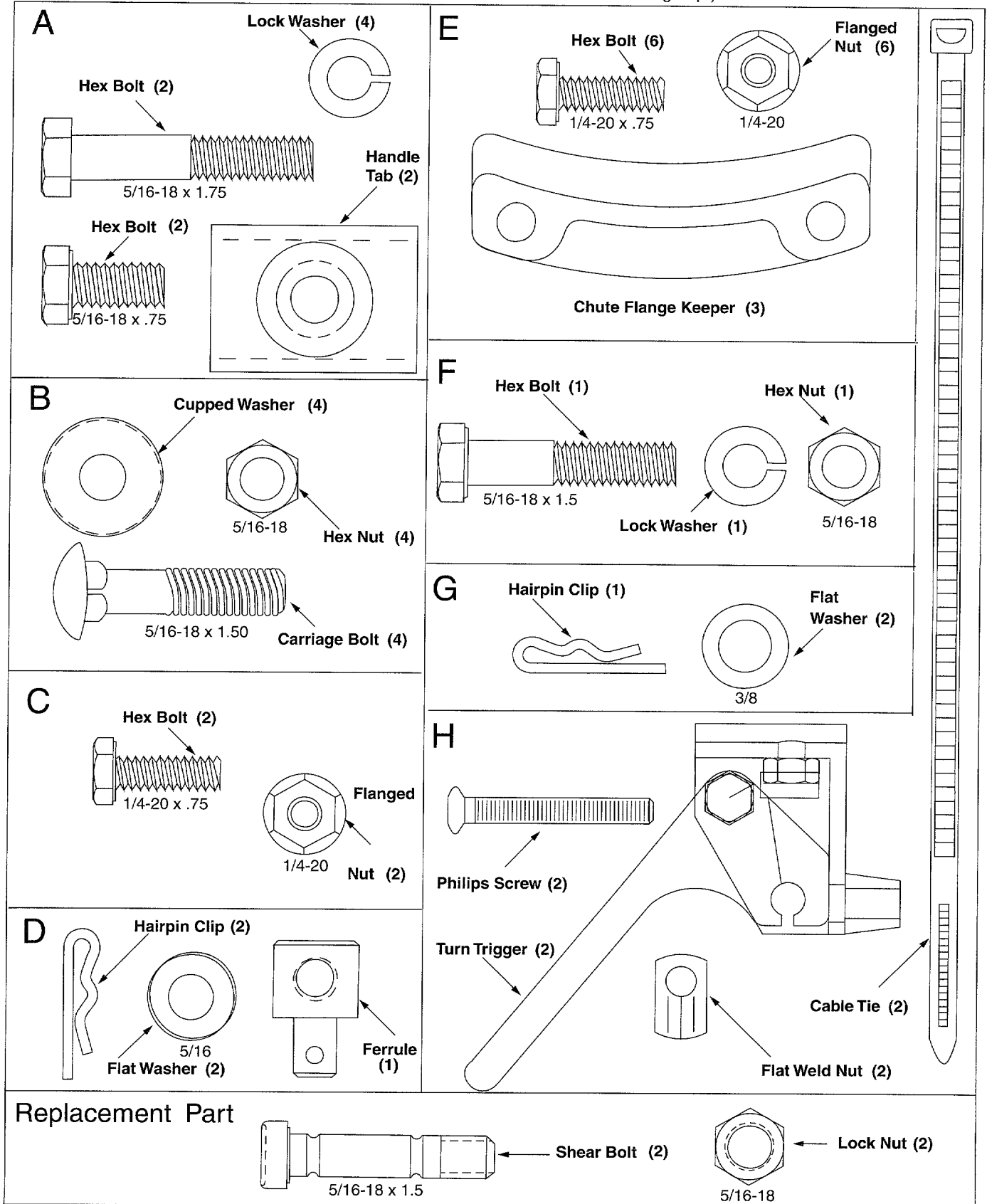
Four Cycle Oil



Spark Plug

HARDWARE PACK

Lay the hardware pieces from the hardware pack on the figure here and you will have automatically sorted these according to the steps of the assembly procedure described later. (Only one unit of each hardware has been shown per group. The number in parenthesis indicates the total number of the hardware needed in that group.)



ASSEMBLY

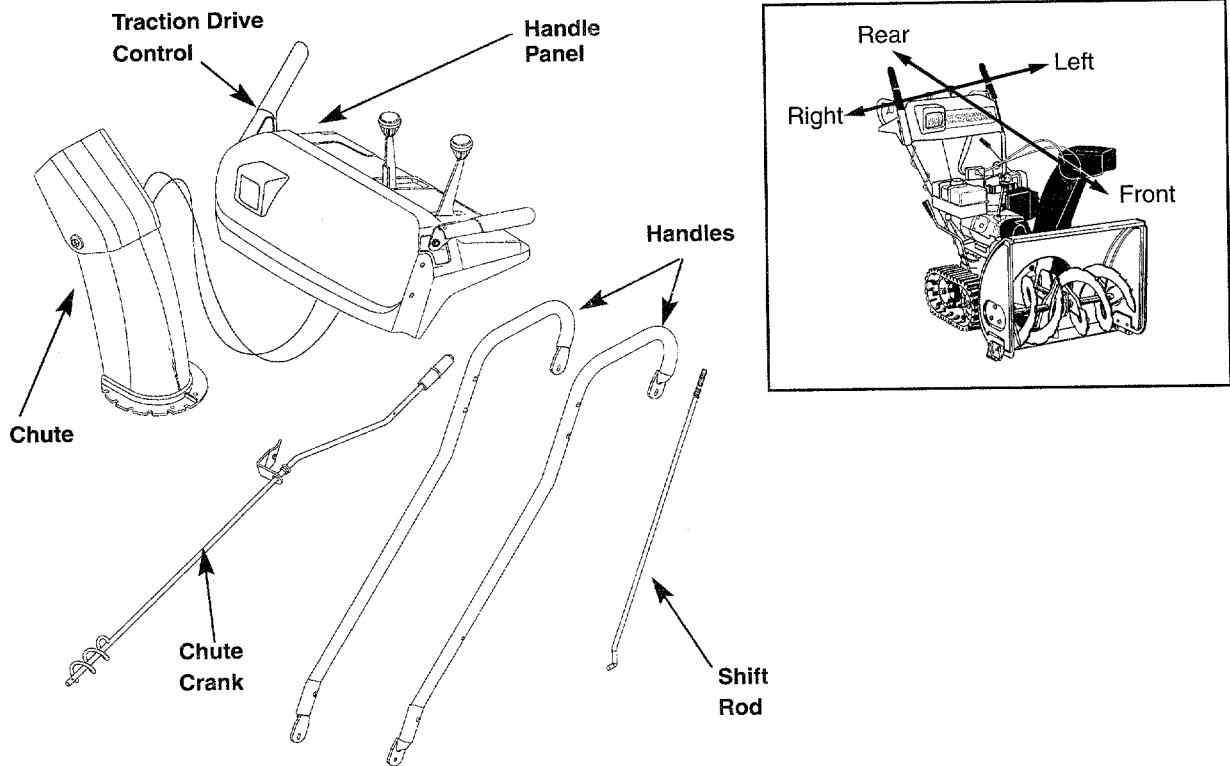


Figure 1

IMPORTANT: This unit is shipped with engine oil, but **without gasoline**, in the engine. After assembly, see OPERATION section of this manual for fuel selection and fill-up.

NOTE: To determine right and left hand sides of your snow thrower, stand behind the unit with the engine farthest away from you. See Figure 1 inset.

Your snow thrower has been completely assembled at the factory, except the handle and the handle panel, the discharge chute assembly, the chute crank assembly and the shift rod. These parts are shipped loose in the carton.

Removing From Carton

- Cut the corners of the carton and lay the sides flat on the ground. Remove all packing inserts.
- Remove all loose parts. For a complete list of the loose parts, refer to the following section.
- Move the snow thrower out of the carton.
- Make certain all parts and literature have been removed before discarding the carton.

Loose Parts

(See Figure 1.)

- a. Handle Panel and Chute Assembly
- b. Right Hand Handle
- c. Left Hand Handle

- d. Chute Crank Assembly
- e. Shift Rod
- f. Hardware Pack

Assembly Tips: For easier assembly purposes, remove the chute from the carton and lay it on top of the engine. Do not unwrap the chute till you have installed the handle panel and the clutch cables.

Tools Required

1. 1/2", 7/16", 3/8" wrenches or a set of adjustable wrenches
2. Set of standard head screw drivers
3. Set of philips head screw drivers
4. Funnel



WARNING: Make certain the **spark plug wire is disconnected** and moved away from the spark plug before assembling the snow thrower.

Attaching Handle Assembly

- Stretch out control cables and place on the floor. Place the right handle in position with the flat side against the snow thrower. *You can identify the right handle by the traction drive control label on it and the left handle by the auger clutch control label on it.*
- Secure bottom hole in the handle to the snow

thrower using 5/16 x3/4" hex bolt and lock washer from the hardware pack (group A on page 6). Do not tighten at this time. See Figure 2.

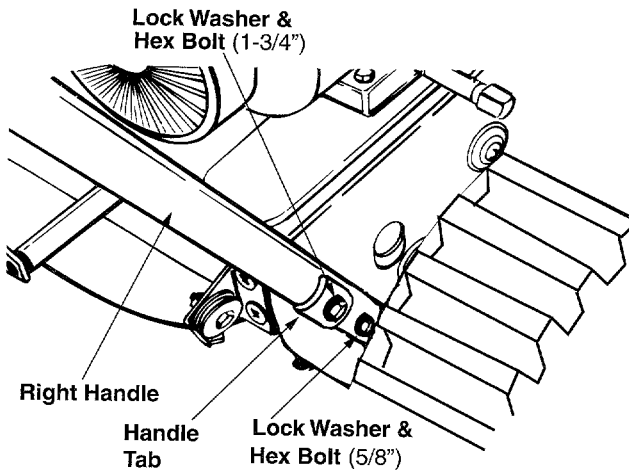


Figure 2

- Place a handle tab, included in the hardware pack (group A on Page 6), over the upper hole in handle so that the contour of the handle tab matches that of the handle. See Figure 2.
- Secure handle tab to the snow thrower using hex bolt (5/16 x 1-3/4" long) and lock washer from the same group in the hardware pack. Do not tighten at this time.
- Attach the left handle in the same manner. Do not tighten at this time.
- Place the handle panel in position between the handles so the ends of the curved part of the handles go through the slots in the handle panel. Align the holes in the handle with the holes on the two sides of the handle panel. See Figure 3.

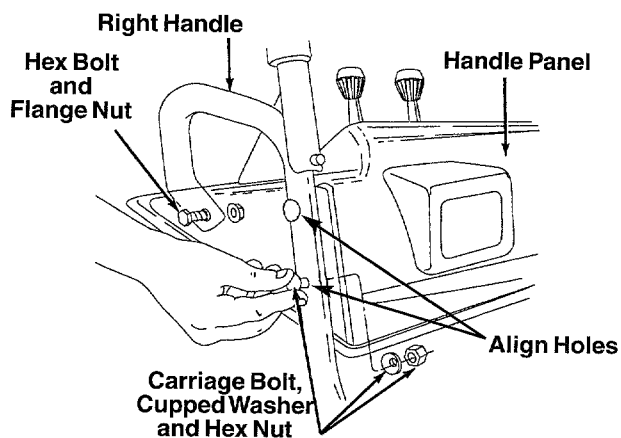


Figure 3

- Attach the handle panel to the handle with two carriage bolts, cupped washers (cupped side against the handle panel) and hex nuts on each side. See Figure 3. You will find these fasteners in the hardware pack (group B on page 6). Align

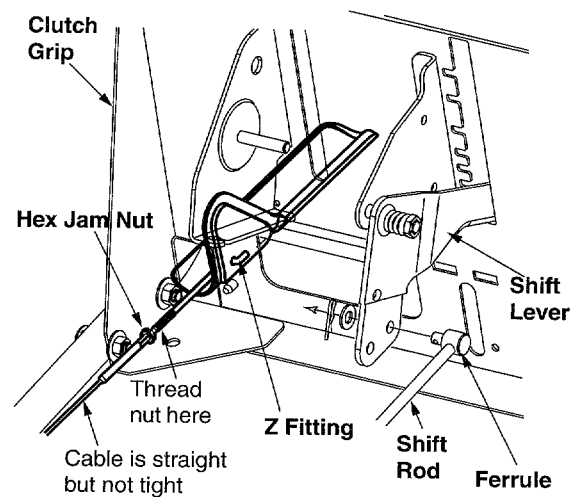
the contour of the carriage bolt head with the handle.

- Attach each side of rear of handle panel with one 1/4-20 hex bolt and flange nut from the hardware pack (group C on page 6). See Figure 3. Do not tighten at this time.
- Tighten all loose hardware on the handle assembly in the following order — first the hex bolts at the bottom of the handle, then the carriage bolts and lastly the hex bolts on the rear of the handle panel.

Attaching Clutch Cables

The Z ends of the clutch cables are hooked into the clutch grips on each handle.

- Locate two .375" wide hex jam nuts which were placed on the Z ends for shipping purposes. Thread these nuts all the way up the threaded portion of the Z ends of the clutch cables. See Figure 4.
- Place the clutch grip in the raised (up) position.
- Thread the cable onto the threaded portion of the Z fitting until there is no slack in the cable, but the cable is NOT tight. See Figure 4. Do not overtighten cable.
- When correct adjustment is reached, tighten the hex nut against the bottom portion of the cable to lock it in position. Use pliers and 3/8" wrench to lock the hex nut.
- Tighten traction drive control cable in the same manner.



(Viewed from under the handle panel)

Figure 4



WARNING: If there is tension on the cable when the clutch grip is released, the **safety features of the snow thrower may be overridden.**

Attaching Shift Rod

- Place the shift lever in the sixth (6) speed position.
- Place the bent end of the shift rod into the hole in the shift arm assembly. See Figure 5. Secure with 5/16 flat washer and hairpin clip from the hardware pack (group D on page 6).
- Start threading the ferrule (included in the same group in the hardware pack) onto the other end of the shift rod. It has to line up with the upper hole in the shift lever (beneath the handle panel). While aligning the ferrule, push down on the shift rod and the shift arm assembly as far as it will go.
- Once the ferrule slides into the hole, turn it counter-clockwise one more full turn and insert it in the hole in the shift lever.

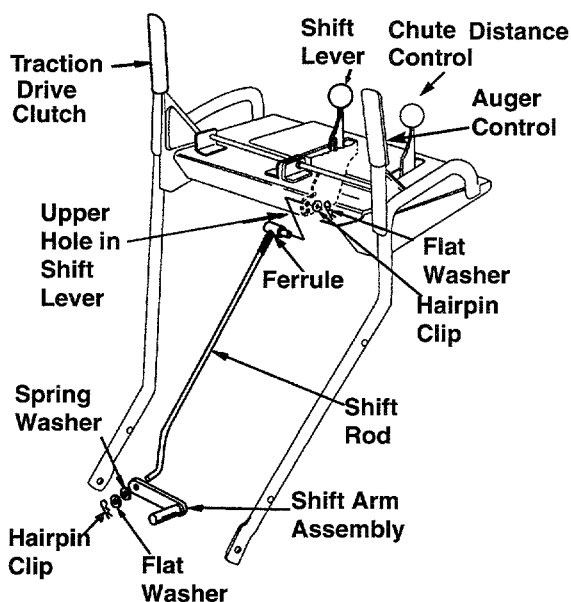


Figure 5

NOTE: It may be necessary to pull the shift lever out of the sixth speed position and move it towards the fifth speed position until the ferrule slides into the hole without force.

- Secure the ferrule to the shift lever with another 5/16 flat washer and hairpin clip from group D of the hardware pack. See Figure 5.
- Make certain to check for correct adjustment of the shift rod as instructed in the Adjustment section before operating the snow thrower.

Attaching Chute

- Place the chute assembly over the chute opening with the latter facing the front of the unit.

NOTE: Make sure that the chute cables are straightened while assembling the chute.

- Place the chute flange keeper (flat side down) beneath lip of chute assembly as shown in Figure 6. You will find the chute flange keepers in group E of the hardware pack.
- Insert 1/4-20 hex bolt from group E of the hardware pack (on page 6) up through chute flange keeper and chute assembly as shown in Figure 6. Do not tighten at this time. Rotate chute to install all the flange keepers.

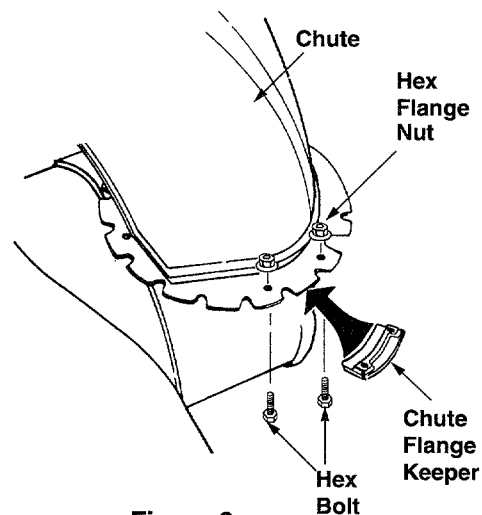


Figure 6

- After assembling all three chute flange keepers, tighten, then back off 1/4 turn to allow easier movement of the chute. Use (2) 7/16" wrenches.

Attaching Chute Crank

- Insert 5/16 x 1.5" hex bolt (from group F of the hardware pack on page 6) through the upper chute crank bracket. This bracket is already assembled on the chute crank. See Figure 7 for the position of the chute crank on the snow thrower.

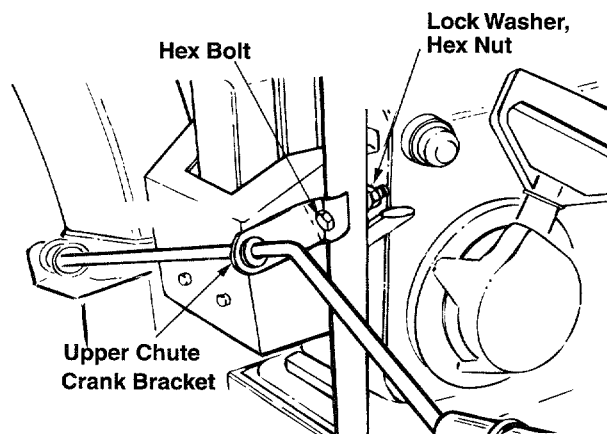


Figure 7

- Place the hex bolt into the hole provided in the left handle. Fasten with lock washer and 5/16 hex nut from the same group of the hardware pack. Do not tighten until after attaching the other end of the chute crank.

- You may have to loosen the carriage bolts and hex lock nuts which secure the lower chute crank bracket to the extension on the left side of the chute assembly. See Figure 8.

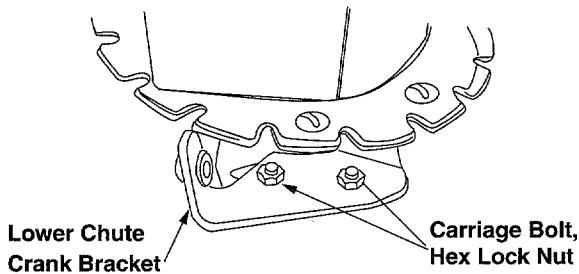


Figure 8

- Place one 3/8 ID flat washer (from group G of the hardware pack) on the end of the chute crank, then insert the end of the crank into the eye hole in the plastic bushing in the chute crank bracket. See Figure 9.
- Place the other 3/8 ID flat washer (from the same group of hardware) on the end of the chute crank and insert hairpin clip into eye hole at the end of the chute crank. See Figure 9.
- Adjust the chute bracket so that the spiral on the chute crank fully engages the teeth on the chute assembly. Tighten the nuts on the lower chute crank bracket securely.

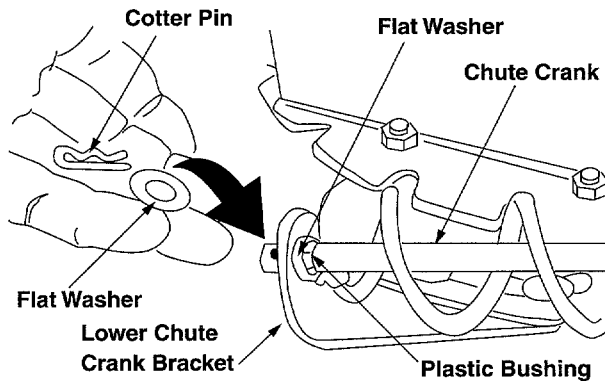


Figure 9

- Using a wrench, tighten the hex bolt and the hex nut on the upper chute crank bracket.
- Fully rotate the chute, using the chute crank, to make sure that it moves freely.
- Slip the cables that run from the handle panel to the chute into the cable guide located on top of the engine. See Figure 10.

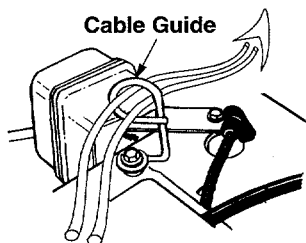


Figure 10

Attaching Turn Triggers

- Check and make sure that the right hand trigger cable is routed in front of the traction drive cable.
- Feed the trigger cable up through the outer side of the slot in the handle panel. Do *not* feed the cable through the same side of the slot as the Z fitting.
- Place the cable barrel fitting into the hole in the trigger. You can find the triggers and associated hardware in group H of the hardware pack (on page 6). Pull on the cable and rotate it around the bottom of the trigger, with the inner cable in the slot, until the cable end can be pushed into the trigger housing and snapped tight. See Figure 11.

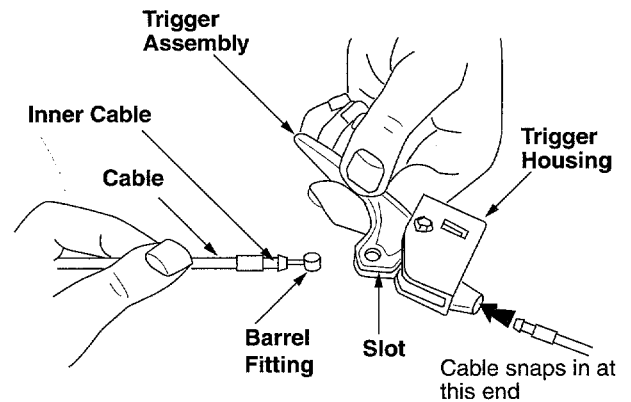


Figure 11

Note: When the cable is installed correctly, you should not be able to pull the cable out of the trigger housing.

- Place the right turn trigger in position underneath the right handle. Secure with screw and weld nut from group H of the hardware pack. See Figure 12. You will need a phillips screwdriver for tightening the screw.

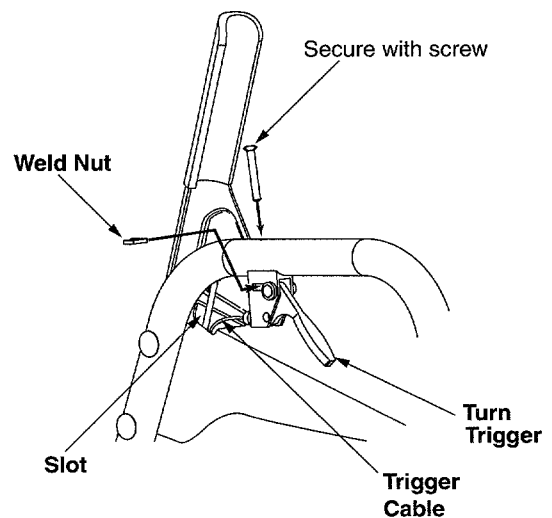


Figure 12

- Secure the right turn trigger cable to the right lower handle, using cable tie provided in the

hardware pack. Make sure to route the cable tie over the drive cable. See Figure 13.

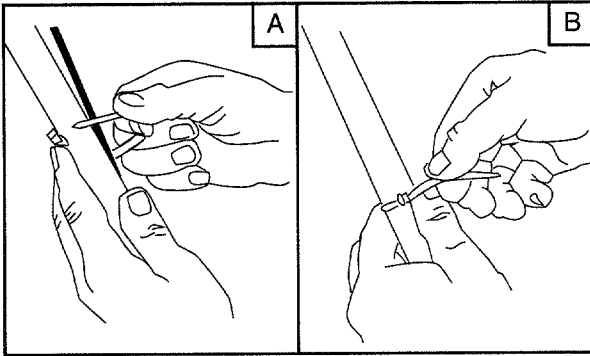


Figure 13

- Secure the left turn trigger cable to the lower handle using the other cable tie. Make sure to route the cable tie *below the auger drive cable* so that when the trigger cable is secured by the cable tie, the auger drive cable is left outside the cable tie.
- Trim excess ends from each cable tie.

NOTE: The right side cable tie must be used to keep cable from coming in contact with the moving shift arm from the transmission.

Lamp Wiring

- Wrap the wire from the lamp down the right handle. Plug wire into the alternator lead wire under the fuel tank.

IMPORTANT: Assemble your snow thrower, then check the adjustments as instructed and make any final adjustments necessary *before* operating the unit. Failure to follow the instructions may cause damage to the snow thrower.

Final Adjustments

Adjusting Auger Control

- To check the adjustment of the auger control, squeeze the left hand clutch grip until the rubber bumper is compressed. There should be slack in the clutch cable.
- Release the clutch grip. The cable should be straight. Make certain you can depress the auger control grip against the left handle completely.
- If adjustment is necessary, loosen the hex jam nut and thread the cable in (for less slack) or out (for more slack).
- Recheck the adjustment. Tighten the jam nut against the cable when correct adjustment is reached.

Adjusting Traction Drive Control

- To check the adjustment of the traction drive control and shift lever, move the weight transfer lever to the transport position (shown in Figure 16 on page 13) and the shift lever all the way forward to sixth (6) position.
- With the traction drive control released, pull the triggers up to the handle and then push the snow thrower forward to check that the tracks turn.
- Squeeze traction drive control against the handle and pull the starter. The tracks should turn.
- Now release the traction drive control and pull the starter again. The unit should not move.
- Before proceeding with adjustment, check to make sure that the **spark plug is disconnected**.
- If the traction drive control needs adjustment, loosen the jam nut on the traction drive cable and thread the cable one turn. Recheck adjustment and repeat as necessary.
- Tighten the jam nut to secure the cable when correct adjustment is reached.

NOTE: For more details, refer to the Service and Adjustment section.

Adjusting Skid Shoe

The space between the shave plate and the ground can be changed by adjusting the skid shoe.

- Return weight transfer lever (shown in Figure 16) to normal position before adjusting skid shoes.
- For close snow removal, adjust skid shoes higher to minimize gap between the shave plate and the ground.
- For snow removal from uneven ground like gravel, adjust skid shoes downward to create sufficient clearance between the bottom edge of shave plate and the ground.
- Adjust the skid shoes by loosening the four hex nuts and carriage bolts and moving skid shoes to desired position. Make certain the entire bottom surface of skid shoe is against the ground to avoid uneven wear on the skid shoes. See Figure 14.
- Retighten nuts and bolts securely.

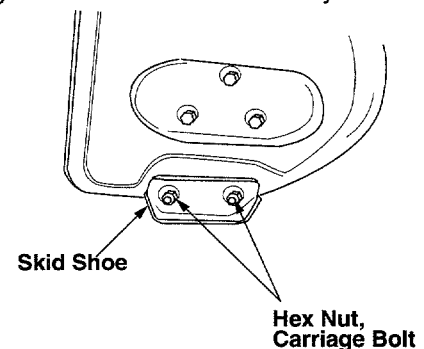


Figure 14

IMPORTANT: Keep all grease and oil off of the friction wheel and the drive plate.

Shifting Mechanism

- Lubricate the shifting mechanism and pivot points on the shift rod with engine oil at least once a season or after every 25 hours of operation.

Traction Drive Control

- Lubricate cams on the ends of the control rods which interlock the traction drive and auger controls at least once a season or every 25 hours of operation with grease. The cams can be accessed beneath the handle panel.

Gear Case

- The gear case is lubricated with grease at the factory and does not require checking. If disassembled for any reason, lubricate with two ounces of Shell Alvania grease.

Bearings

- Once a season lubricate the auger bearings and the bearings on the side of the frame with light oil. See lube chart below.

Check V-belts

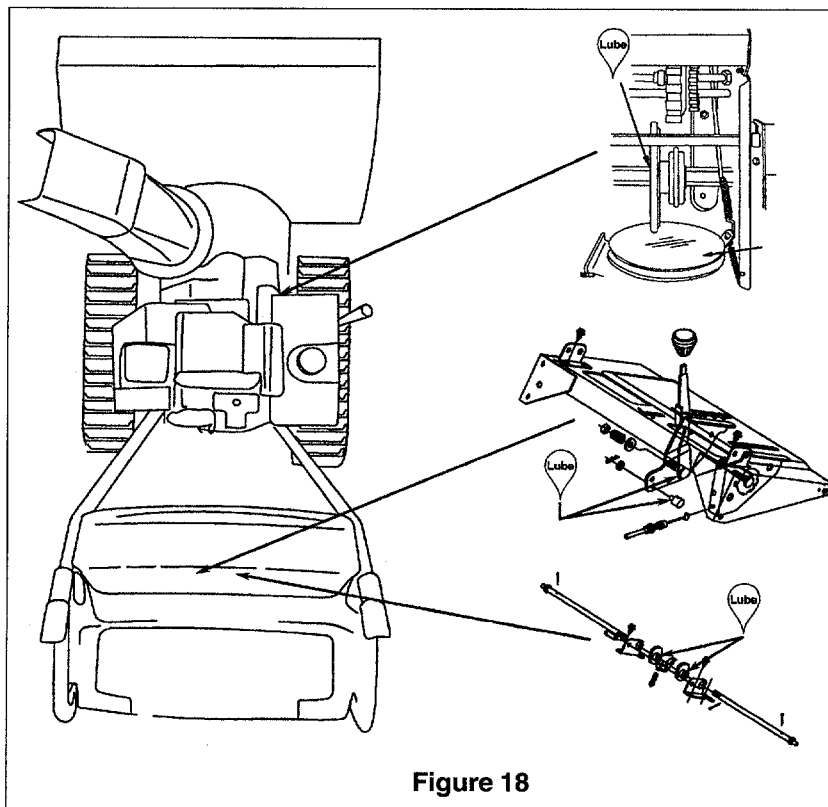
Follow the instructions below to check the condition of the drive belts every 50 hours of operation.

- Remove the plastic belt cover on the front of the engine by removing two self-tapping screws.
- Visually inspect for frayed, cracked, or excessively worn out belts.

Check Friction Wheel

Follow the instructions below to check the condition of the friction wheel rubber every 25 hours of operation.

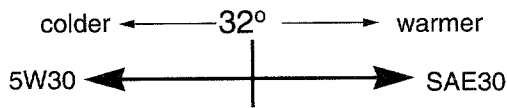
- Remove the four self-tapping screws from the frame cover underneath the snow thrower.
- Visually inspect the friction wheel rubber for excessive wear, cracks, or loose fit on the friction wheel drive hub.
- Also engage traction drive control and check if the friction wheel is making contact with the friction plate.
- If it does not make contact, adjust the traction drive cable following instructions page 11 and page 20. Recheck the friction wheel.
- Replace friction wheel rubber if necessary. Refer to instructions on page 22.



Engine Maintenance

Engine Oil

Only use high quality detergent oil rated with API service classification SF, SG or SH. Select the oil's SAE viscosity grade according to the expected operating temperature.



Viscosity Chart

NOTE: Although multi-viscosity oils (5W30, 10W30 etc.) improve starting in cold weather, these multi-viscosity oils will result in increased oil consumption when used above 32°F. Check your snow thrower's engine oil level more frequently to avoid possible engine damage from running low on oil.

Refer to the viscosity chart for proper selection of engine oil.

Checking Oil Level

Before operating the snow thrower, check the oil level.

- With engine on level ground, the oil must be to FULL mark on dipstick.
- Stop engine and wait several minutes before checking oil level. Remove oil fill cap and dipstick.
- Wipe dipstick clean, insert it into oil fill hole and tighten securely.
- Remove dipstick and check. If oil is not up to the FULL mark on dipstick, add 5W30 oil.

Changing Oil

Change engine oil after the first two hours of operation and every 25 hours thereafter.

In order to do that you will have to first drain the spent engine oil from the engine and then refill with fresh oil.

- Drain oil while engine is warm. Remove oil drain cap located at the bottom of the recoil starter of the engine. Catch oil in a suitable container.
- When engine is drained of all oil, replace drain plug securely.
- Remove the dipstick from the oil fill plug. For location of the oil fill plug, see Figure 17. Pour fresh oil slowly through the plug. Replace dipstick.
- Check and make sure that the level of oil is up to the FULL mark on the dipstick.



WARNING: Temperature of muffler and nearby areas may exceed 150° F(65°C). Avoid these areas.

Spark Plug

- Clean area around the spark plug base.
- Remove and inspect the spark plug.
- Replace the spark plug if electrodes are pitted, burned, or the porcelain is cracked. See Figure 19.
- Clean the spark plug and reset the gap to 0.030" at least once a season or every 50 hours of operation. See Figure 19.
- Spark plug replacement is recommended at the start of each season. Refer to engine parts list for correct spark plug type.

NOTE: Do not sandblast spark plug. Spark plug should be cleaned by scraping or wire brushing and washing with a commercial solvent.

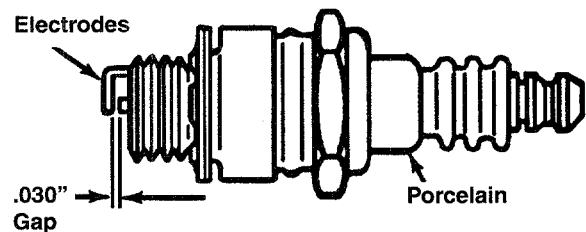


Figure 19

SERVICE & ADJUSTMENTS



WARNING: Always stop the engine, disconnect spark plug wire and move it away from the spark plug before performing any adjustments or repairs.

Never attempt to clean the chute or make any adjustments while the engine is running.

Adjustments

Traction Drive Control

Refer to the Final Adjustment section of the Set-Up Instructions to adjust the traction drive control. If you are not sure of proper adjustment, check as follows.

- Drain the gasoline or place plastic film under the gas cap if the snow thrower has already been operated.
- Tip the snow thrower forward and remove the four self-tapping screws that hold the frame cover underneath the snow thrower.
- With the traction drive control *released*, make sure that there is clearance between the friction wheel and the friction plate in all positions of the shift lever. See Figure 20.

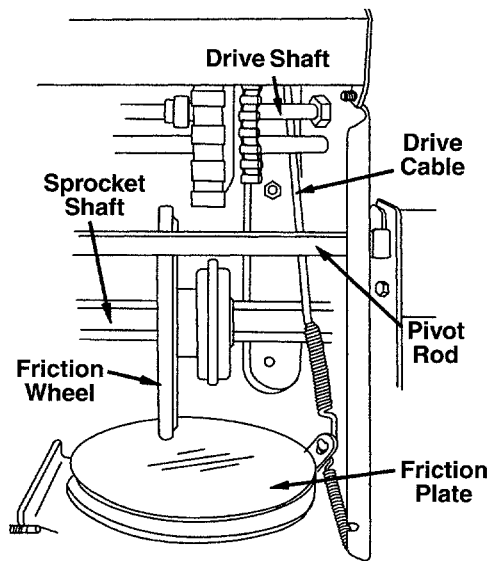


Figure 20

- With the traction drive control *engaged*, make sure that the friction wheel is making contact with the friction plate. Also make sure that the overtravel spring is stretched.
- If adjustment is necessary, loosen the jam nut on the traction drive cable and thread the cable in or out as necessary.
- Tighten the jam nut to secure the cable when correct adjustment is reached. Reassemble the frame cover.

NOTE: If you placed plastic under the gas cap, be certain to remove it.

Augers

The augers are secured to the spiral shaft with two shear bolts and hex lock nuts. If you hit a foreign object or ice jam, the snow thrower is designed so that the bolts will shear.

- If the augers will not turn, check to see if the bolts have sheared. Replace if necessary. See Figure 21. Two replacement shear bolts and hex lock nuts have been provided in the hardware pack with the snow thrower. See page 6.

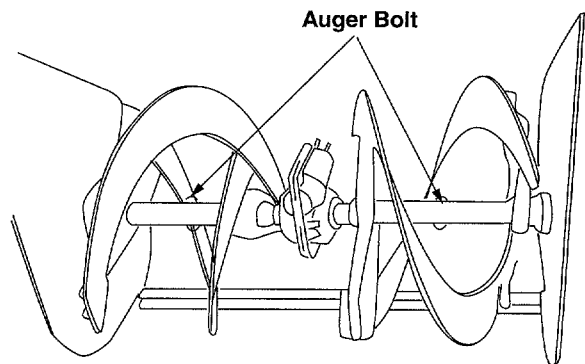


Figure 21

Auger Clutch

To adjust the auger clutch, refer to Final Adjustment section of Assembly Instructions.

Chute Assembly

The distance snow is thrown can be adjusted by adjusting the angle of the chute assembly. Refer to page 13.

Skid Shoe

The space between the shave plate and the ground can be adjusted by adjusting the skid shoe. Refer to page 11 of this manual.

Shift Rod

To adjust the shift rod, proceed as follows.

- Remove the hairpin clip and flat washer from the ferrule underneath the shift panel. Remove the ferrule from the hole in the shift lever.
- Place the shift lever on the handle panel in the sixth (6) speed position (all the way forward).
- Push down on the shift rod (and shift arm assembly) as far as it will go. Hold it in this position. See Figure 22.
- Thread the ferrule up or down the shift rod as necessary until the ferrule lines up with the

upper hole in the shift lever.

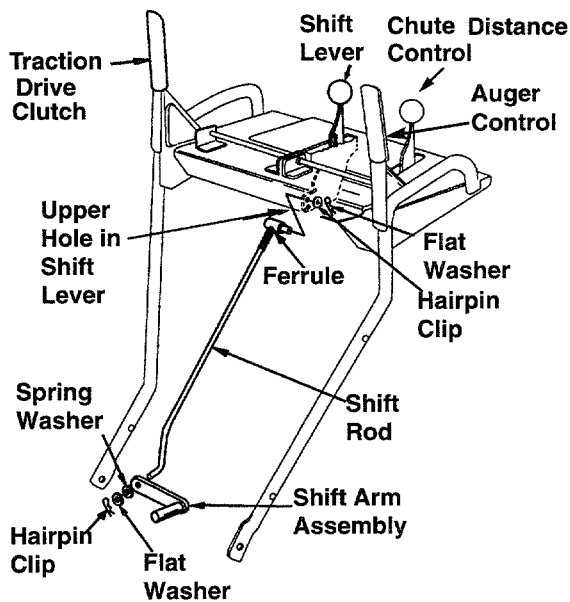


Figure 22

- Insert the ferrule into the upper hole in the shift lever from the right side when adjustment is correct. Secure with the flat washer and the hairpin clip that you had earlier removed. See Figure 22.
- Check for correct adjustment of the traction drive control as instructed in the Final Adjustment section.

Service

Shave Plate And Skid Shoes

The shave plate and skid shoes on the bottom of the snow thrower are subject to wear. They should be checked periodically and replaced when necessary.

- To remove skid shoes, remove the two carriage bolts, belleville washers and hex nuts (on each side) which attach them to the snow thrower. See Figure 14.
- Reassemble new skid shoes with the hardware earlier removed. Make sure to insert the cupped side of the washer against the skid shoe so that the skid shoe is adjusted to be level.
- To remove shave plate, remove the carriage bolts, belleville washers and hex nuts which attach it to the snow thrower housing. Reassemble new shave plate, making sure heads of the carriage bolts are to the inside of the housing. Tighten securely.

Belt Removal And Replacement



WARNING: Disconnect the spark plug wire from the spark plug and ground it.

Auger Drive Belts

- Disconnect the chute crank at the chute assembly by removing the cotter pin and the flat washer.
- Remove the plastic belt cover on the front of the engine by removing two self-tapping screws. See Figure 23.

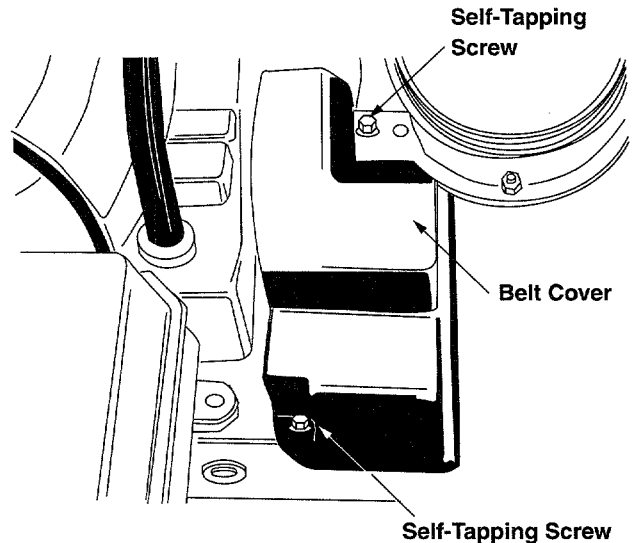


Figure 23

- Unthread the bottom of the auger cable from the top of the cable, leaving the hex nut in place.
- Remove the six lock washers and hex nuts which attach the auger housing assembly to the frame. See Figure 24. (Only two pairs of lock washers and hex nuts are shown in the figure.)

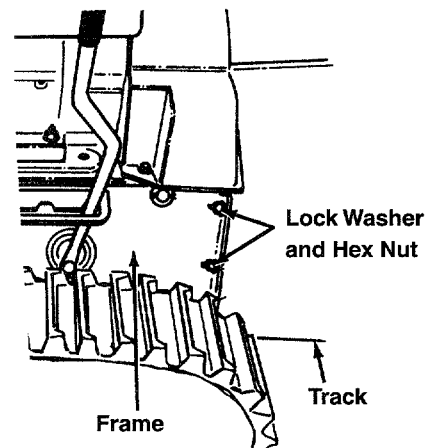


Figure 24

- Separate the housing from the frame assembly by standing in the operating position and lifting up on the handles. The frame and housing will separate and the rear auger drive belt will come

off the pulleys. See Figure 25.

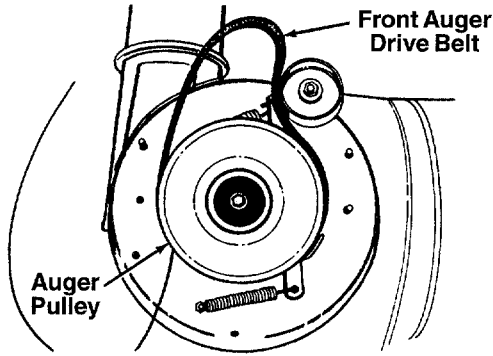


Figure 25

- To remove the front auger drive belt, push the idler pulley to the left and lift front auger drive belt from the front auger pulley. See Figure 25. Replace both auger drive belts by following the preceding instructions.

NOTE: When reassembling the two halves of the unit, make sure that the auger drive cable is routed through the cable roller guide.

Drive Belt

- Remove the plastic belt cover on the front of the engine by removing the two self-tapping screws. See Figure 23.
- Drain the gasoline from the snow thrower, or place a piece of plastic under the gas cap.
- Tip the snow thrower up and forward so that it rests on the auger housing.
- Remove four self-tapping screws from the frame cover underneath the snow thrower.
- Pulling the idler pulley upward, roll the belt off the idler pulley and the engine pulley and lift belt off friction wheel disc. See Figure 26.

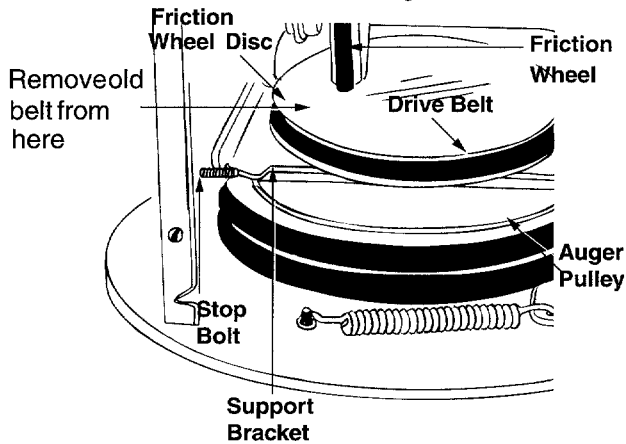


Figure 26

- Back out the stop bolt until the support bracket drops on the auger pulley. See Figure 26.
- Slip belt between friction wheel and friction disc plate and remove the belt. See Figure 26.
- Reassemble with new drive belt.

NOTE: The support bracket must rest on the stop bolt after the new belt has been assembled. See Figure 26.

Friction Wheel Rubber

The rubber on the friction wheel is subject to wear and should be checked after the first 25 hours of operation and periodically thereafter. Replace the friction wheel rubber if any signs of wear or cracking are found.

- Drain the gasoline from the snow thrower, or place a piece of plastic under the gas cap.
- Tip the snow thrower up and forward, so that it rests on the housing.
- Remove four self-tapping screws from the frame cover underneath the snow thrower.
- Using a 7/8" wrench to hold the shaft, loosen, but do not completely remove, the hex bolt and bell washer from the left end of the shaft. See Figure 27.

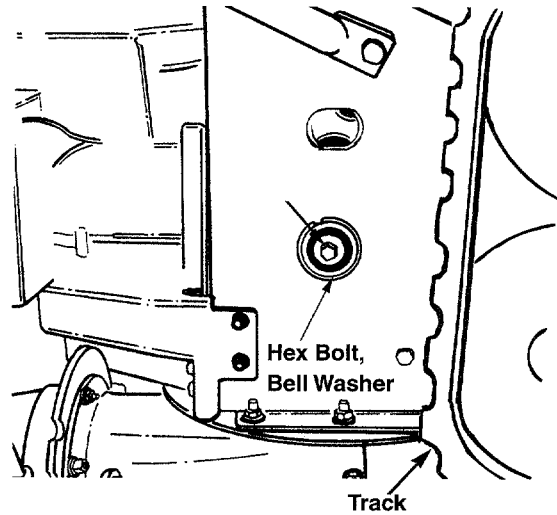


Figure 27

- Move the weight transfer lever to the packed snow position. Refer to Figure 16.
- Lightly tap the head of the bolt to dislodge the ball bearing from the right side of the frame; then remove the hex bolt and the bell washer from left end of the shaft.
- Sliding the shaft to the right, remove the spacer, the sprocket and the friction wheel assembly from the shaft. See Figure 28.
- Remove the six screws from the friction wheel assembly (three from each side). Remove the friction wheel rubber from between the friction wheel plate.
- Reassemble the new friction wheel rubber to the friction wheel assembly tightening the six screws in rotation and with equal force.
- Position the friction wheel assembly up onto the pin of the shift rod assembly and slide the shaft through the friction wheel. See Figure 28.
- Slide the shaft into the hex I.D. of the sprocket, the spacer and the left ball bearing and secure

with the bell washer and hex bolt. See Figure 28.

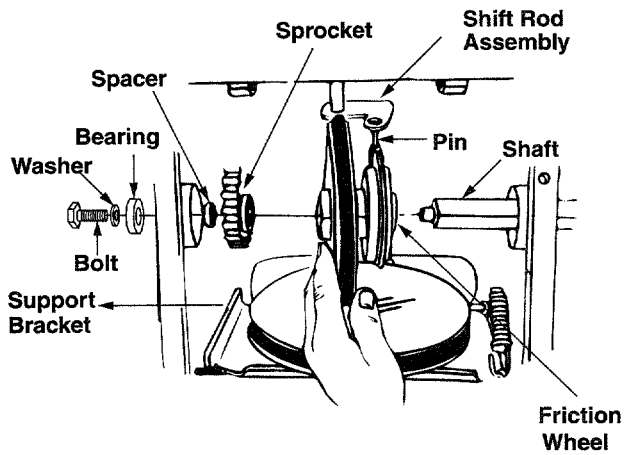


Figure 28

Carburetor



WARNING: If any adjustments are made to the engine while the engine is running (e.g. carburetor), **keep clear** of all moving parts. Be careful of heated surfaces and muffler.

If you think the carburetor needs to be adjusted, see your nearest authorized Tecumseh Service Outlet.

OFF-SEASON STORAGE

If your snow thrower is left unused for 30 days or longer, it needs to be prepared for storage. Also, at the end of the snow season, you should follow the same set of instructions and store the snow thrower properly for the off-season. Proper storage ensures longer life of the snow thrower.

Preparing Engine



WARNING: Never store snow thrower with fuel in tank indoors or in poorly ventilated areas, where fuel fumes may reach an open flame, spark or pilot light as on a furnace, water heater, clothes dryer or gas appliance.

It is important to prevent gum deposits from forming in essential fuel system parts of the engine such as the carburetor, fuel filter, fuel hose or tank during storage.

Also experience indicates that alcohol blended fuels (called gasohol or using ethanol or methanol) can attract moisture which leads to separation and formation of acids during storage. Acidic gas can damage the fuel system of an engine while in storage.

To avoid engine problems, the fuel system *should be emptied* before storage for 30 days or longer. Follow these instructions to prepare your snow thrower for storage:

- Remove all gasoline from the carburetor and the fuel tank to prevent gum deposits from forming on these parts and causing possible malfunction of the engine.

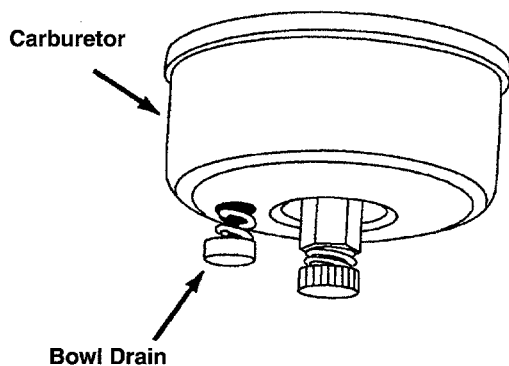


Figure 29



WARNING: Drain fuel into approved container outdoors, away from any open flame. Be certain engine is cool. Do not smoke.

Fuel left in engine during warm weather deteriorates and will cause serious starting problems.

- Run the engine until the fuel tank is empty and it stops due to lack of fuel.
- Drain carburetor by pressing upward on bowl drain, located below the carburetor cover. See Figure 29.



WARNING: Do not drain carburetor if using fuel stabilizer. Never use engine or carburetor cleaning products in the fuel tank or permanent damage may occur.

NOTE: Fuel stabilizer (such as STA-BIL) is an acceptable alternative in minimizing the formation of fuel gum deposits during storage. Add stabilizer to gasoline in fuel tank or storage container. Always follow mix ratio found on stabilizer container. Run engine at least 10 minutes after adding stabilizer to allow it to reach the carburetor. Do not drain carburetor if using fuel stabilizer.

- Remove the spark plug and pour one (1) ounce of engine oil through the spark plug hole into the cylinder. Crank the engine several times to distribute the oil. Replace spark plug.

Preparing Snow Thrower

- When storing the snow thrower in an unventilated or metal storage shed, care should be taken to rustproof the equipment. Using a light oil or silicone, coat the equipment, especially any chains, springs, bearings and cables.
- Remove all dirt from exterior of engine and equipment.
- Follow lubrication recommendations on page 17.
- Store in a clean, dry area.

TROUBLE-SHOOTING

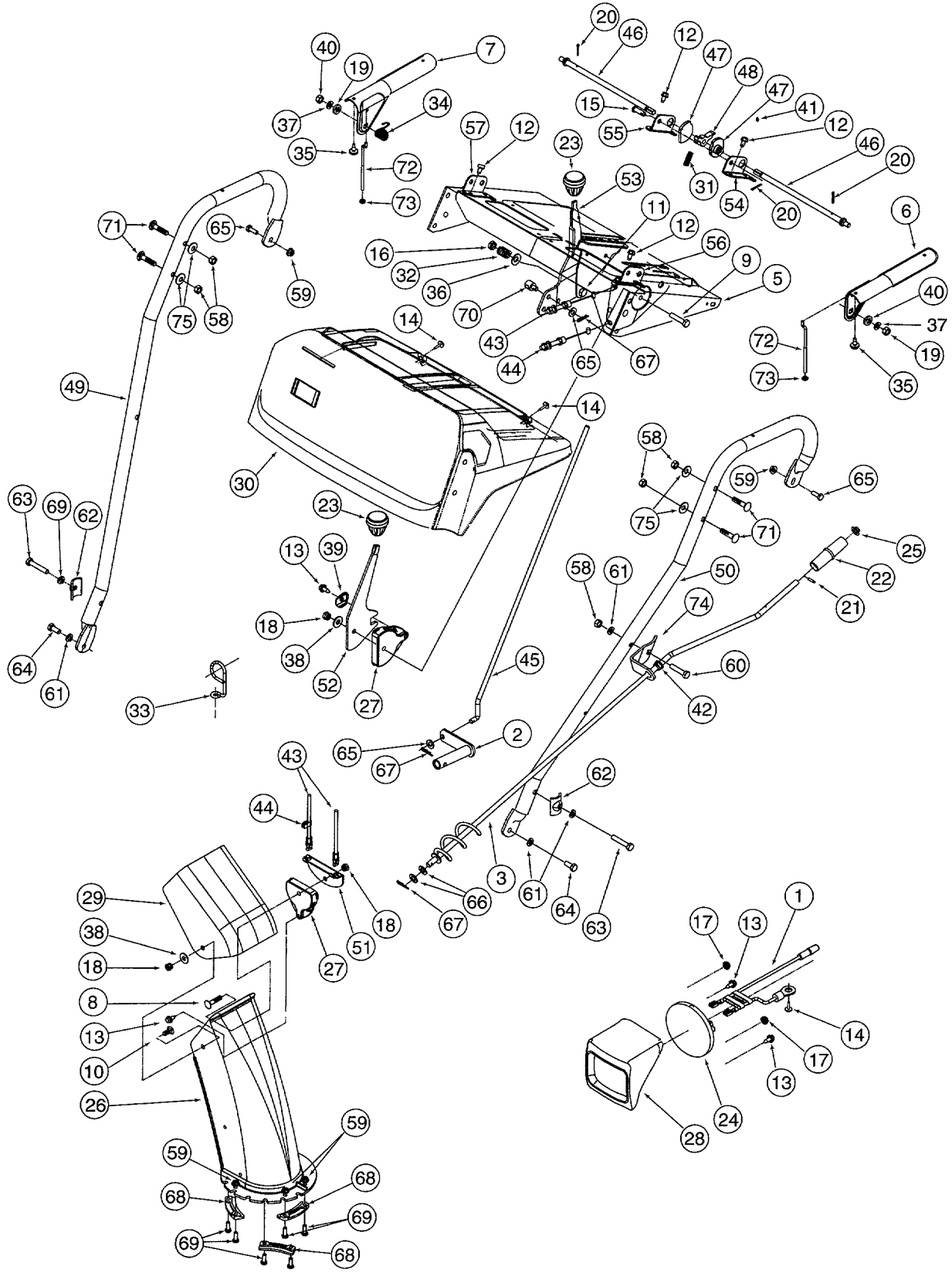
PROBLEM	POSSIBLE CAUSE	CORRECTIVE ACTION
Shift lever not locking into the sixth speed	1. Shift rod out of adjustment	1. Remove washer and pin. Turn ferrule clockwise one turn and reinstall.
Engine fails to start	1. Fuel tank empty, or stale fuel. 2. Fuel shut-off valve closed. 3. Ignition key not in switch or engine. 4. Spark plug wire disconnected. 5. Blocked fuel line. 6. Faulty spark plug.	1. Fill tank with clean, fresh gasoline. 2. Open valve. 3. Insert key. 4. Connect spark plug wire. 5. Clean fuel line. 6. Clean, adjust gap or replace.
Engine runs erratic.	1. Unit running on choke. 2. Blocked fuel line or stale fuel. 3. Water or dirt in fuel system. 4. Carburetor out of adjustment.	1. Turn choke to off position. 2. Clean fuel line, fill tank with fresh fuel. 3. Drain carburetor following instructions on page 24. Refill with fresh fuel. 4. Contact Sears service center.
Loss of power	1. Spark plug wire loose. 2. Gas cap vent hole plugged.	1. Connect and tighten spark plug wire. 2. Remove ice and snow from cap. Make sure that the vent hole is clear.
Engine overheats	1. Engine oil level low. 2. Carburetor not adjusted properly.	1. Fill crankcase with proper engine oil. 2. Contact Sears service center.
Excessive vibration	1. Loose parts or auger damaged.	1. Stop engine immediately and disconnect spark plug wire. Tighten all nuts and bolts. Check for the source of vibration. Make all necessary repairs. If vibration persists, contact Sears service center.
Hard to shift speed, or will not shift	1. Shift rod not adjusted	1. Readjust shift rod. Follow instructions on page 20.
Unit fails to propel itself	1. Incorrect adjustment of drive clutch 2. Drive belt loose or damaged.	1. Adjust drive clutch. Refer to page 11 of this manual. 2. Replace drive belt following instructions on page 21.
Unit fails to discharge snow	1. Auger shear bolt broken. 2. Discharge chute clogged. 3. Foreign object lodged in auger. 4. Auger drive clutch not adjusted. 5. Auger drive belt loose or damaged.	1. Replace shear bolt. 2. Stop engine, disconnect spark plug wire and clean discharge chute and inside of auger housing. 3. Stop engine, disconnect spark plug wire and remove object from auger. 4. Adjust properly. See page 20. 5. Replace belt. See page 21.
Track does not turn	1. Track control cable not inserted. 2. Lower cable bracket not fully positioned against gear box.	1. Insert the cable completely into the trigger assembly. 2. Loosen two self-tapping screws on each slot of bracket. Retighten making sure that the bolt is completely at the bottom of the slot.



For repairs beyond the minor adjustments listed above, please contact your nearest SEARS service center.

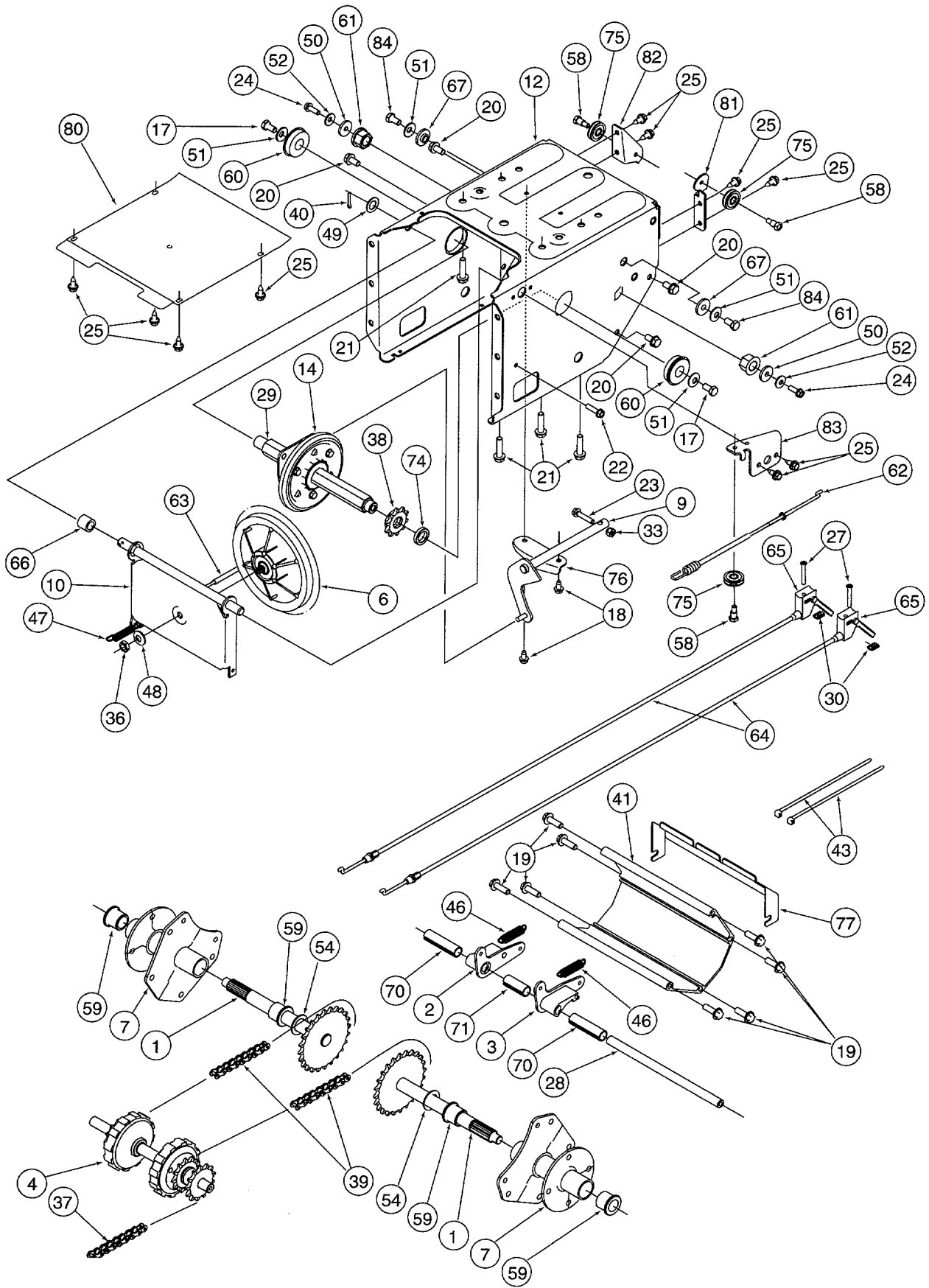
PARTS LIST

SEARS CRAFTSMAN 8.5 H.P. SNOW THROWER MODEL 247.885500

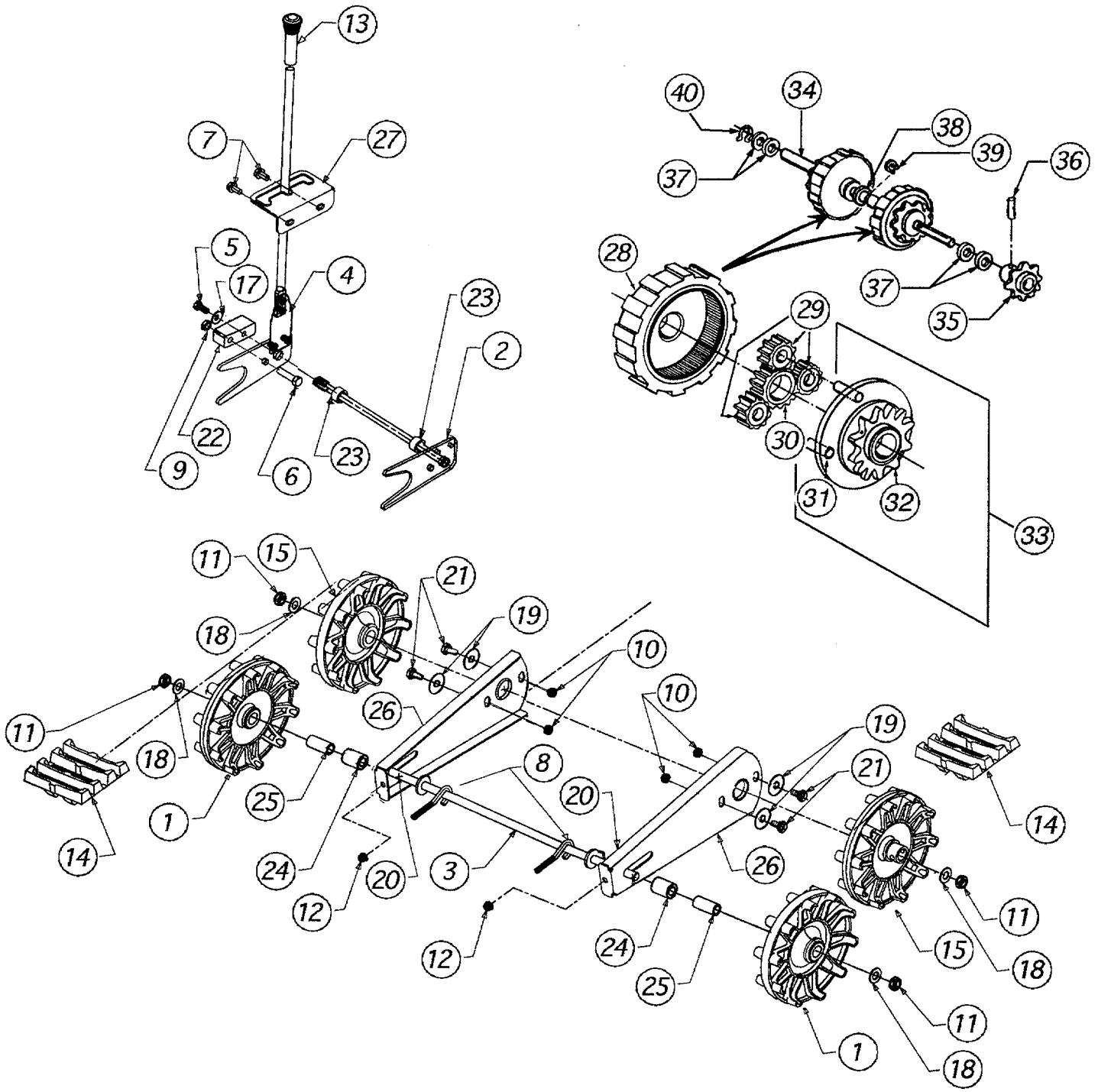


Key No.	Part No.	Description	Qty.	Key No.	Part No.	Description	Qty.
1	629-0058	Harness for Headlight	1	38	736-0159	Washer 5/6 I.D.	2
2	684-0008A-0637	Shift Arm Assembly	1	39	736-0506	Special Washer	1
3	684-0022	Chute Crank Assembly	1	40	736-0509	Special Washer	2
4	684-0066	Hardware Pack*	1	41	737-0133	Grease	1
5	684-0102	Handle Panel Assembly w/ Tilt	1	42	741-0475	Plastic Bushing	1
6	684-0111	Handle Assembly Engagement (L.H.)	1	43	746-0896	Chute Deflector Control Cable	1
7	684-0112	Handle Assembly Engagement (R.H.)	1	44	746-0901	Chute Deflector Cable w/ Clip	1
8	710-0262	Carriage Bolt 5/16-18 x 1.50	1	45	747-0798A	Shift Rod	1
9	710-0442	Hex Bolt 5/16-18 x 1.5	1	46	747-0877	Cam Rod	2
10	710-0451	Carriage Bolt 5/16-18 x .75	1	47	748-0362	Cam Handle Lock	2
11	710-0459	Hex Screw 3/8-24 x 1.5	1	48	748-0363	Pawl Handle lock	1
12	710-0599	Hex Washer Hd. TT Screw 1/4-20 x 0.5"	1	49	749-0908A	Right Handle	1
13	710-0896	Hex AB Tap Screw 1/4 x .62	2	50	749-0909	Left Handle	1
14	710-1003	Hex B-Tapp Screw # 10-16 x .62	2	51	784-5594	Cable Bracket	1
15	711-0653	Clevis Pin	1	52	784-5604	Chute Tilt Handle	1
16	712-0116	Hex Ins. Lock Nut 3/8-24	9	53	784-5619A	Shift Handle	1
17	712-0415	Self Threading Nut	2	54	784-5679	Handle Support Bracket (L.H.) 5/8	1
18	712-0429	Lock Nut 5/16-18	2	55	784-5680	Handle Support Bracket (R.H.) 5/8	1
19	712-3010	Hex Nut	3	56	784-5681	Handle Support Bracket (L.H.) 3/8	1
20	714-0507	Cotter Pin	3	57	784-5682	Handle Support Bracket (R.H.) 3/8	1
21	715-0138	Roll Pin	1	58	712-3010	Hex Nut 5/16-18 Thd.	5
22	720-0201A	Chute Crank Knob	1	59	712-3027	Hex Flange Locked Nut 1/4-20 Thd.	8
23	720-0300	Shift Knob	2	60	710-0442	Hex Bolt 5/16-18 x 1.5	1
24	725-1300	Headlight	1	61	736-0119	Lock Washer 5/16	5
25	726-0100	Push Cap	1	62	784-5599	Handle Tab	2
26	731-1300A	Lower Chute	1	63	710-3180	Hex Bolt 5/16-18 x 1.75 Gr.5	2
27	731-1313B	Cable Guide	2	64	710-3008	Hex Bolt	2
28	731-1317	Headlight Bezel	1	65	736-0275	Flat Washer 5/16	2
29	731-1320	Upper Chute	1	66	736-0185	Flat Washer 3/8 x .738 x .063	2
30	731-1773A	Handle Panel	1	67	714-0104	Hairpin Clip	3
31	732-0145	Compression Spring	1	68	731-0851A	Chute Flange Keeper	3
32	732-0193	Compression Spring	1	69	710-3015	Hex Bolt 5/16-18 x 1.50	8
33	732-0705	Cable Control Wire	1	70	711-0677	Ferrule	1
34	732-0746	Torsion Spring	1	71	710-0262	Carriage Bolt 5/16-18 x 1.50	4
35	735-0199A	Rubber Bumper	2	72	746-0778	Z Fitting	2
36	736-0105	Bell Washer .380 x .880 x .062	1	73	712-0121	Hex Nut # 10-24	2
37	736-0119	Lock Washer 5/16 I.D.	2	74	784-5678	Chute Crank Reinforcement Bracket	1
				75	736-0242	Cupped Washer .340 I.D. x .872 O.D.	4

* Includes references 58 through 75



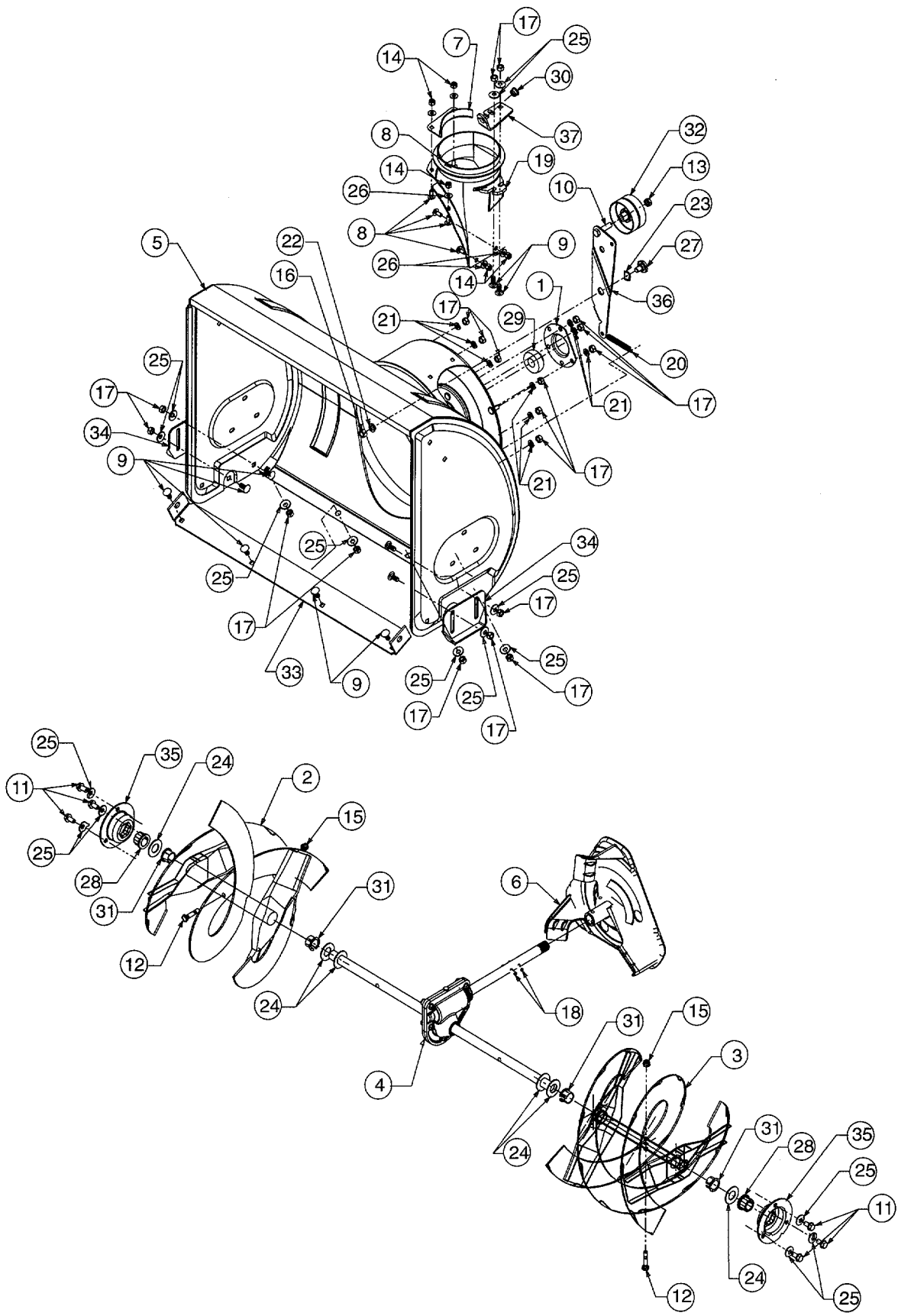
Key No.	Part No.	Description	Qty.	Key No.	Part No.	Description	Qty.
1	611-0053	Axle Assembly	2	41	719-0295A	Track Housing	1
2	618-0043	Dogg Assembly: R.H.	1	43	725-0157	Cable Tie	2
3	618-0044	Dogg Assembly: L.H.	1	46	732-0209	Extension Spring	2
4	618-0169	Shift Assembly: Track Drive	1	47	732-0264	Extension Spring	1
7	683-0024	Hub Assembly: Track Drive	2	48	736-0105	Bell Washer	1
9	684-0014B	Shift Rod Assembly	1	49	736-0160	Flat Washer	1
10	684-0021	Friction Wheel Support Bracket Assembly	1	50	736-0176	Flat Washer	2
12	684-0031	Frame Assembly	1	51	736-0242	Bell Washer	5
14	684-0042B	Friction Wheel Bearing Assembly	1	52	736-0270	Bell Washer	2
17	710-0538	Hex Lock Screw 5/16-18 x .625 Grade 5	4	54	736-0287	Flat Washer	2
18	710-0599	Hex Washer Hd. TT Screw	2	58	738-0924	Shoulder Screw	3
19	710-0602	Hex Washer Hd. TT Screw	8	59	741-0339	Flange Bearing	4
20	710-0604	Hex Washer Hd. TT Screw	6	60	741-0563	Ball Bearing	2
21	710-0654A	Hex Washer Hd. TT Screw	4	61	741-0597	Hex Flange Bearing	2
22	710-0788	Hex Washer Screw	1	62	746-0897	Auger Clutch Cable	1
23	710-0809	Hex Washer Screw	1	63	746-0898	Drive Clutch Cable	1
24	710-0875	TT Screw	2	64	746-0948	Track Steering Cable	2
25	710-0896	Hex Washer Head AB Screw	10	65	746-0950	Trigger Control	2
27	710-1233	Oval C-Sunk Screw	2	66	748-0190	Spacer	1
28	711-0911	Actuator Shaft	1	67	748-0234	Shoulder Spacer	2
29	711-1042	Hex Shaft: Track Drive	1	70	750-0903	Split Spacer	2
30	712-0127	Flanged Weld Nut #10-24	2	71	750-0904	Split Spacer	1
33	712-0324	Top Lock Nut 1/4-20	1	74	750-0997	Spacer	1
36	712-0711	Jam Nut 3/8-24	1	75	756-0625	Roller Cable	3
37	713-0233	Chain Links	1	76	784-5590	Shift Bracket	1
38	713-0413	Sprocket: 10T	1	77	784-5609	Steering Cable Bracket	1
39	713-0437	Chain	2	80	784-5648	Frame Cover	1
40	714-0474	Cotter Pin	1	81	784-5687	Auger Clutch Cable Bracket	1
				82	784-5688	Drive cable Bracket	1
				83	784-5689A	Front Support Bracket	1
				84	710-0371	Hex Screw	2



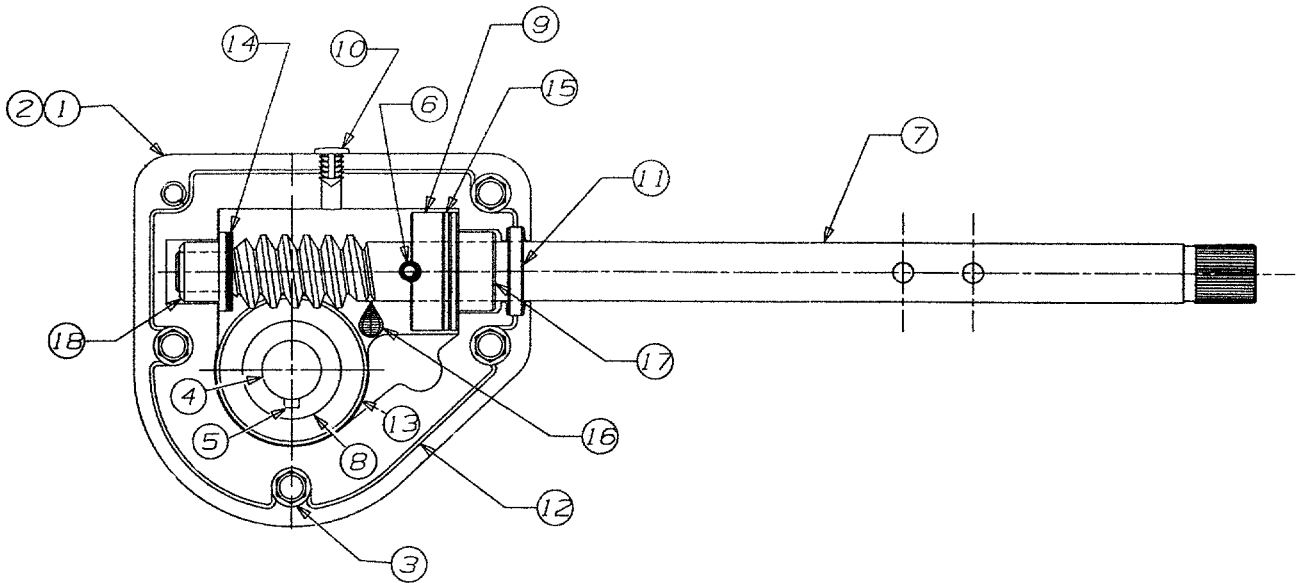
Key No.	Part No.	Description	Qty.	Key No.	Part No.	Description	Qty.
1	631-0032	Wheel Assembly Idler	2	23	750-0547	Spacer	2
2	684-0009	Rod Track Pivot	1	24	750-0909	Spacer	2
3	684-0024	Axle Assembly	1	25	750-0995	Spacer	2
4	684-0038	Handle Assembly	1	26	784-5639-0483	Plate-Track Side	2
5	710-0157	Screw	1	27	784-5642	Plate-Track Lockout	1
6	710-0459	Screw	1	28	717-1211	Gear Ring	2
7	710-0604	Screw	2	29	717-1209	Gear 12-Tooth	6
8	710-1231	Screw	2	30	717-1210	Gear 18-Tooth	2
9	712-0214	Lock Nut	1	31	741-0542	Pin Dowel	6
11	712-0346	Jam Nut	4	32	718-0188	Carrier	2
12	712-0429	Hex Nut	6	33	618-0046	Carrier Assembly	2
13	720-0223	Grip	1	34	711-0912	Shaft—Track Drive	1
14	731-1292	Track	2	35	713-0414	Sprocket—13 Tooth	1
15	731-1538A	Wheel-Track Drive	2	36	715-0120	Spring Pin	1
17	736-0242	Bell Washer	1	37	736-0502	Flat Washer	6
18	736-0272	Flat Washer	4	38	736-0336	Flat Washer	2
19	736-0406	Flat Washer	4	39	716-0115	Snap Ring .625" Shaft	2
20	737-0170	Lubricant	1	40	716-0114	Snap Ring .56" Shaft	1
21	738-0140	Shoulder Screw	4				
22	748-0353A	Lift-Shaft Drive	1				

LABELS

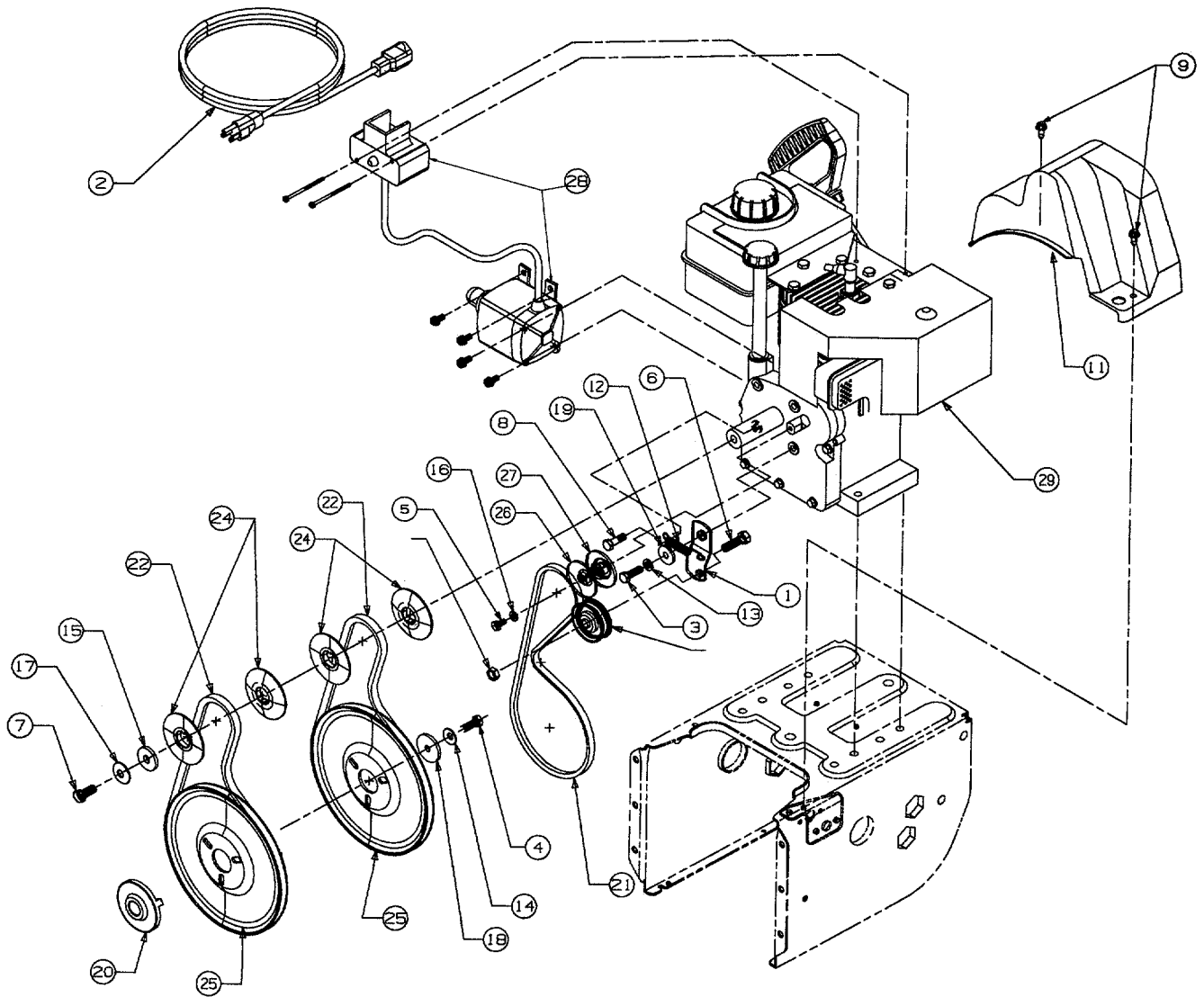
Key No.	Part No.	Description	Qty.
1	777-4865	Traction Control R.H.	1
2	777-4866	Traction Control L.H.	1
3	777-4867	Chute Tilt	1
4	777-4958	Auger Control	1
5	777-4959	Traction Drive	1
6	777-4965	Transport	1
7	777-3396	Danger Warning	1
8	777-8088B	Danger, Top of Chute	1



Key No.	Part No.	Description	Qty.	Key No.	Part No.	Description	Qty.
1	05931	Bearing Housing	1	19	731-1379	Chute Adapter	1
2	605-5192	Spiral Assembly	1	20	732-0611	Extension Spring	1
3	605-5193	Spiral Assembly	1	21	736-0119	Lock Washer 5/16	9
4	618-0121	Auger Gear Assembly	1	22	736-0169	Lock Washer 3/8	1
5	684-0040A	Spiral Housing Assembly	1	23	736-0174	Wave Washer	1
6	684-0065	Impeller Assembly	1	24	736-0188	Flat Washer .76 I.D. x 1.49 O.D.	6
7	705-5226	Chute Reinforcement	1	25	736-0242	Bell Washer .345 I.D. x .88	16
8	710-0134	Carriage Screw 1/4-20 X .62	5	26	736-0463	Flat Washer 1/4 x .630	5
9	710-0451	Carriage Bolt 5/16-18 X .75	10	27	738-0281	Shoulder Screw	1
10	710-0459	Hex Screw 3/8-24 X 1.5 Grade 5	1	28	741-0245	Hex Flange Bearing	2
11	710-0604	Hex Washer Head TT-Screw 5/16-18 X .62	6	29	741-0309	Ball Bearing	1
12	710-0890A	Shear Bolt 5/16-18 X 1.5	2	30	741-0475	Plastic Bushing	1
13	712-0116	Jam Lock Nut	1	31	741-0493A	Flange Bushing	4
14	712-0324	Toplock Nut 1/4-20	5	32	756-0178	Flat Idler	1
15	712-0429	Hex Lock Nut 5/16-18	2	33	784-5579A	Shave Plate	1
16	712-0798	Hex Nut 3/8-16	1	34	784-5580	Slide Shoe	2
17	712-3010	Hex Nut 5/16-18	19	35	784-5618	Bearing Assembly	2
18	715-0114	Spiral Pin	2	36	784-5632	Auger Idler Arm	1
				37	784-5647	Chute Crank Bracket	1



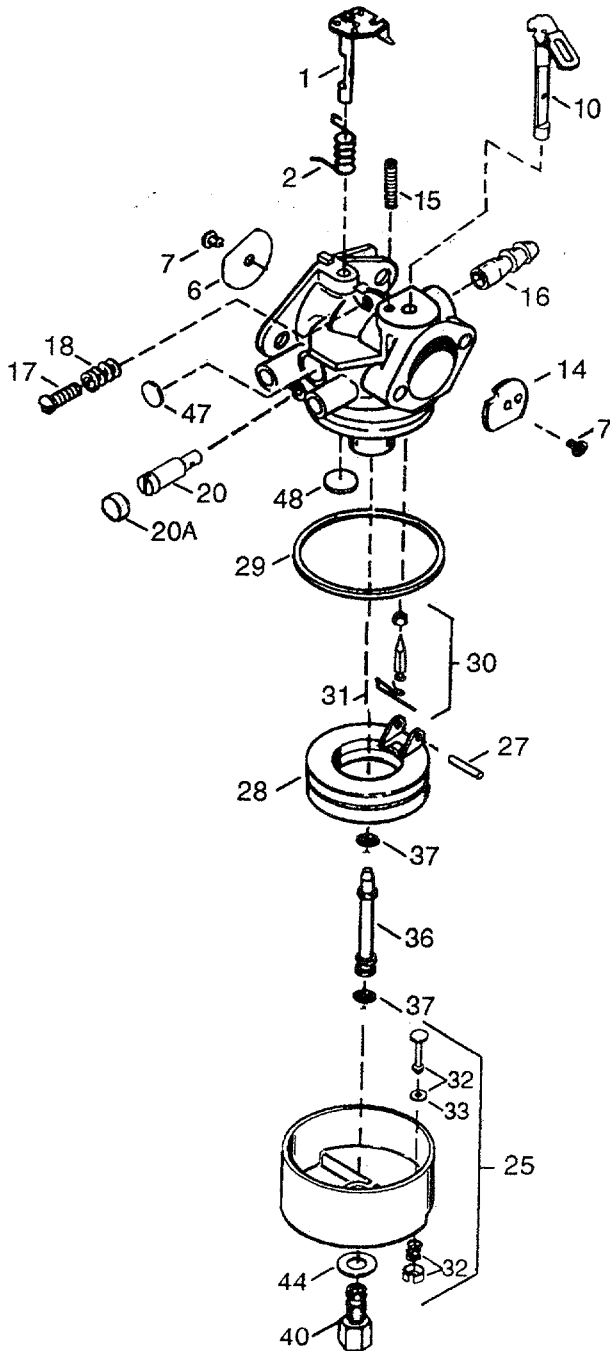
Key No.	Part No.	Description	Qty.	Key No.	Part No.	Description	Qty.
1	618-0123	Housing—R.H.	1	11	721-0327	Seal, Oil	1
2	618-0124	Housing—L.H.	1	12	721-0328	Loctite 5699, Ultra	
3	710-0642	Screw	5	13	736-0351	Washer	2
4	711-0909	Axle, Spiral	1	14	736-0369	Washer	4
5	714-0161	Key, Hi-Pro	1	15	736-0445	Washer	1
6	715-0143	Pin, Spiral	1	16	737-0168	Grease	1
7	717-0526	Worm, Shaft	1	17	741-0662	Bearing Flange	1
8	717-0528	Gear, Worm	1	18	741-0663	Bearing Flange	1
9	718-0186	Collar, Thrust	1				
10	721-0325	Plug	1				



Ref. No.	Part No.	Description	Qty.	Ref. No.	Part No.	Description	Qty.
1	05896A	Bracket	1	17	736-0331	Washer—Bell	1
2	629-0071	Cord, Extension	1	18	736-0505	Washer—Flat	1
3	710-0117	Screw	1	19	748-0234	Shoulder Spacer	1
4	710-0157	Screw	1	20	748-0360	Pulley, Adapter	1
5	710-0230	Screw	1	21	754-0346	V-Belt	1
6	710-0342	Screw	1	22	754-0430	V-Belt Matched	2
7	710-0696	Screw	1	23	756-0313	Idler, Flat	1
8	710-0888	Screw	1	24	756-0569	Pulley, Half	4
9	710-0896	Screw	2	25	756-0967	Pulley—Auger	2
10	712-0181	Nut, Hex	1	26	756-0986	Pulley Half	1
11	731-1324	Belt Cover	1	27	756-0987	Pulley Half	1
12	732-0710	Spring	1	28	390-985	Starter	1
13	736-0119	Washer—Flat	1		390-987	Starter	1
14	736-0242	Washer—Bell	1	29	143.988501	Engine	1
15	736-0247	Washer—Flat	1	30	770-0373A	Owner's Manual (Not Shown)	1
16	736-0329	Washer—Lock	1				

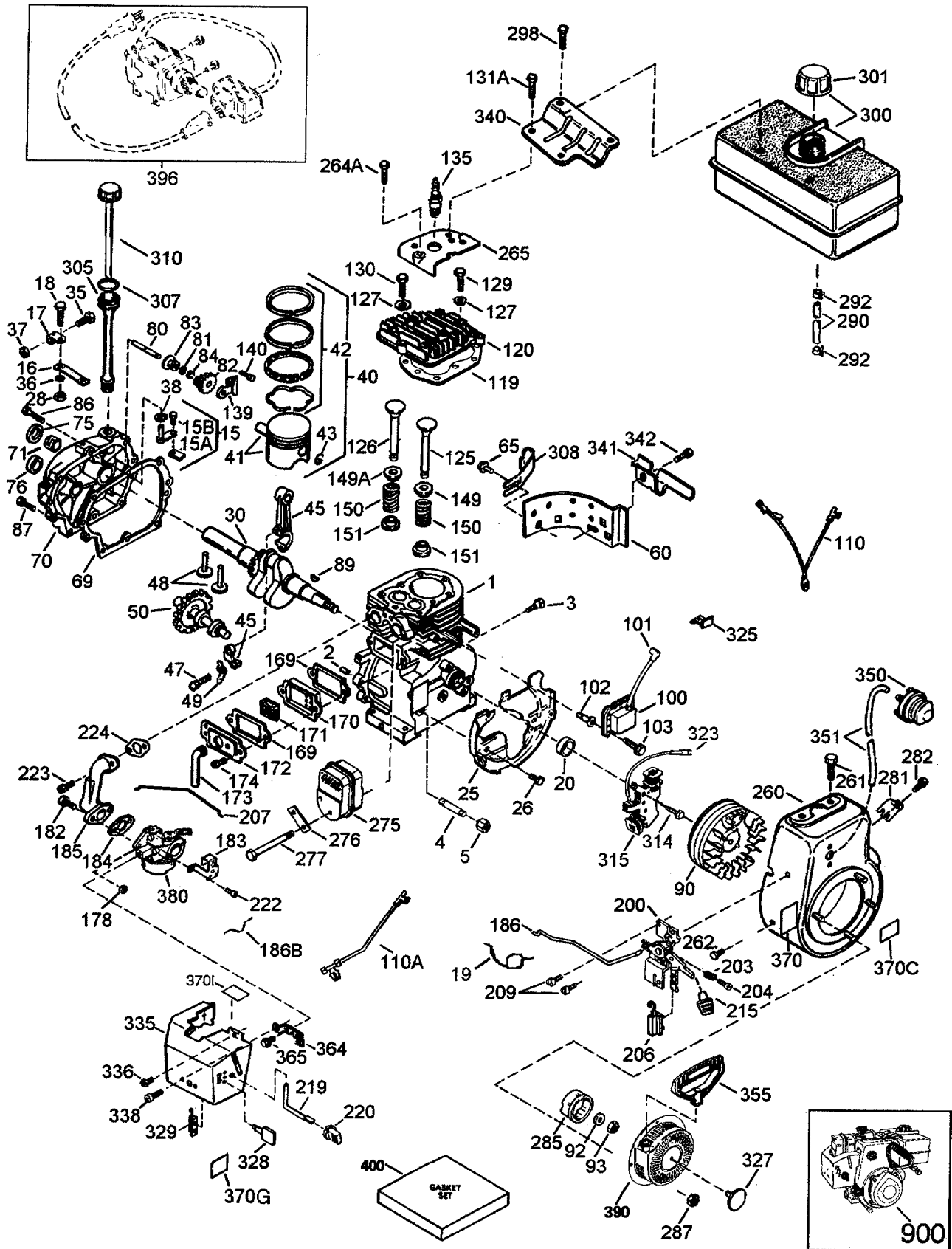
**Craftsman Engine Model No. 143.988501 for Craftsman
Snow Thrower Model 247.885500**

CARBURETOR



Key No.	Part No.	Description	Qty.
0	640052	Carburetor (Incl. 184 of Engine Parts List)	1
1	631776A	Throttle Shaft & Lever Ass'y.	1
2	631970	Throttle Return Spring	1
6	631778	Throttle Shutter	1
7	650506	Shutter Screw	2
10	632112	Choke Shaft & Lever Ass'y.	1
14	632174	Choke Shutter	1
15	630735	Choke Positioning Spring	1
16	632164	Fuel Fitting	1
17	650417	Throttle Crack Screw/Idle Speed Screw	1
18	630766	Tension Spring	1
20	640016	Idle Restrictor Screw	1
20A	640053	Idle Restrictor Screw Cap	1
25	631951	Float Bowl Ass'y. (Incl. 32 & 33)	1
27	631024	Float Shaft	1
28	632019	Float	1
29	631028	Float Bowl "O" Ring	1
30	631021	Inlet Needle, Seat & Clip (Incl. 31)	1
31	631022	Spring Clip	1
32	27136A	Bowl Drain Ass'y.	1
33	27554	Drain Plunger Gasket	1
36	640005	Main Nozzle Tube	1
37	632547	O Ring	2
40	640055	High Speed Bowl Nut	1
44	27110	Bowl Nut Washer	1
47	630748	Welch Plug, Idle Mixture Well	1
48	631027	Welch Plug, Atmospheric Vent	1

Craftsman Engine Model No. 143.988501 for Craftsman Snow Thrower Model 247.885500



**Craftsman Engine Model No. 143.988501 for Craftsman
Snow Thrower Model 247.885500**

Key No.	Part No.	Description	Qty.	Key No.	Part No.	Description	Qty.
1	35385	Cylinder	1	90	611093	Flywheel (W/ Ring Gear)	1
2	27652	Dowel Pin	2	92	650880	Belleville Washer	1
3	650820	Screw	2	93	650881	Flywheel Nut	1
4	—	Oil Drain Extension	1	100	35135	Solid State Ignition	1
5	30969	Extension Cap	1	101	610118	Spark Plug Cover	1
15	30699C	Governor Rod	1	102	651024	Solid State Mounting Stud	2
15A	30700	Governor Yoke	1	103	651007	Screw, Torx	2
15B	650494	Screw	1	110	35187	Ground Wire	1
16	33454	Governor Lever	1	110A	37047	Ground Wire	1
17	29916	Governor Lever Clamp	1	119	36448	Cylinder Head Gasket	1
18	651028	Screw, Torx	1	120	36449	Cylinder Head	1
19	34663	Speed Control Spring	1	125	27878A	Exhaust Valve (Std.)	1
20	35319	Oil Seal	1	125	27880A	Exhaust Valve (1/32" Os)	1
25	36460	Blower Housing Baffle	1	126	34035	Intake Valve(Std.)	1
26	650561	Screw	2	126	34036	Intake Valve (1/32" Os)	1
28	30322	Lock Nut	1	127	650691	Washer	2
30	35980A	Crankshaft	1	130	650727	Screw	2
35	29826	Screw	1	130A	6021A	Screw	7
36	29918	Lock Washer	1	130B	650713	Screw	2
37	29216	Lock Nut	1	135	35395	Resistor Spark Plug	1
38	29642	Retaining Ring	1	139	33369	Governor Gear Bracket	1
40	40011	Piston, Pin & Ring Set (Std.)	1	140	650836	Screw	2
40	40012	Piston, Pin & Ring Set (.010" OS)	1	149	27882	Valve Spring Cap	1
41	40009	Piston, & Pin Ass'y.(Std.)	1	149A	35862	Valve Spring Cap	1
41	40010	Piston, & Pin Ass'y.(.010" OS)	1	150	27881	Valve Spring	2
42	40013	Ring Set (Std.)	1	151	32581	Valve Spring Keeper	2
42	40014	Ring Set (.010" OS)	1	169	27896A	Valve Cover Gasket	1
43	27888	Piston Pin Retaining Ring	2	170	28423	Breather Body	1
45	36897	Connecting Rod Ass'y.	1	171	28424	Breather Element	1
47	651033	Connecting Rod Bolt	2	172	28425	Valve Cover	1
48	34034	Valve Lifter	2	173	35350	Breather Tube	1
49	36896	Oil Dipper	1	174	650128	Screw	2
50	36655	Camshaft (MCR)	1	178	29752	Nut & Lock Washer	2
60	33273A	Blower Housing Extension	1	182	30088A	Screw	2
65	650128	Screw	1	183	34587A	Choke Bracket	1
69	35262A	Cylinder Cover Gasket	1	184	33263	Carburetor to intake pipe gasket	1
70	35445A	Cylinder Cover	1				
71	35377	Crankshaft Bushing	1	185	33877	Intake Pipe	1
75	35319	Oil seal	1	186	34667	Governor Link	1
76	28926	Camshaft Seal	1	186B	36652	Choke Spring	1
80	31845	Governor Shaft	1	200	34677	Control Bracket	1
81	30590A	Washer	1	203	31342	Compression Spring	1
82	35378	Governor Gear Asss'y.	1	204	651029	Torx. Screw	1
83	30588A	Governor Spool	1	206	610973	Terminal	1
84	29193	Retaining Ring	1	207	33878	Throttle Link	1
86	650833	Screw	7	209	650821	Screw	2
87	650832	Screw	1	215	35440	Control Knob	1
89	32589	Flywheel Key	1	219	34586	Choke Rod	1

Table continued on next page

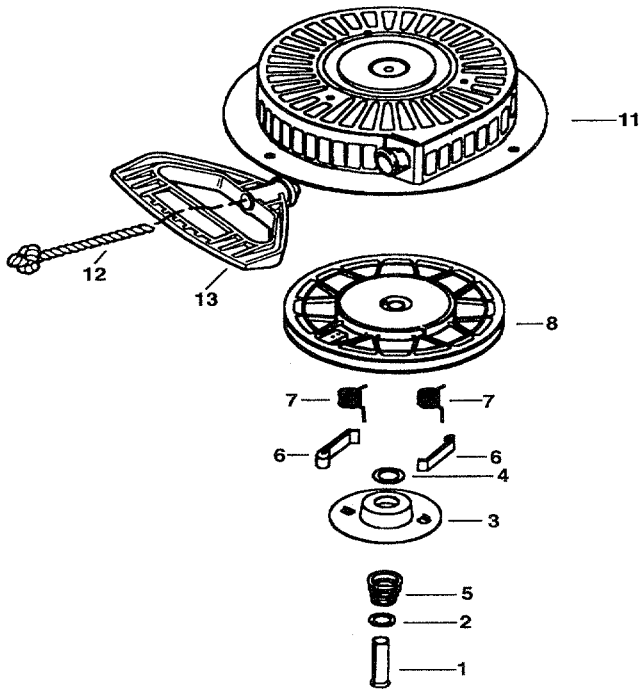
Craftsman Engine Model No. 143.988501 for Craftsman Snow Thrower Model 247.885500

Table continued from previous page

Key No.	Part No.	Description	Qty.	Key No.	Part No.	Description	Qty.
220	35438	Choke Knob	2	315	611111	Alternator Coil	1
222	28820	Screw	2	323B	611118	Terminal	1
223	650378	Screw, Torx	1	325	29443	Wire Clip	1
224	27915A	Intake Pipe Gasket	1	327	35392	Starter Plug	1
260	35447A	Blower Housing	1	328	35593	Ignition Key	2
261	650788	Screw	2	329	610973	Terminal	1
262	29747B	Screw, Torx	2	335	35057A	Carburetor Cover	1
264A	650802	Screw	1	336	650765	Screw	1
265	33272B	Cylinder Head Cover	1	338	28942	Screw	2
275	35056	Muffler	1	340	34154	Fuel Tank Bracket	1
276	31588	Locking Plate	1	341	34155	Fuel Tank Bracket	1
277	651002	Screw	2	342	650561	Screw	1
281	33013	Starter Bubble Cover	1	350	570682	Primer Bulb	1
282	650760	Screw	1	351	32180C	Primer Line	1
285	35985B	Starter Cup	1	355	590574	Starter Handle	1
287	29752	Nut & Lock Washer	4	364	33377	Carburetor Cover Bracket	1
290	30705	Fuel Line	1	365	650767	Screw	2
292	26460	Fuel Line Clamp	4	370	36261	Identification Decal	1
298	650665	Screw	2	370C	36501	Primer Decal	1
300	34156A	Fuel Tank	1	370G	35077	Instruction Decal	1
301	35355	Fuel Cap	1	370H	35878	Warning Decal	1
305	35554	Oil Fill Tube	1	380	640052	Carburetor	1
307	35499	"O" Ring	1	390	590733	Rewind Starter	1
308	35540	Fill Tube Clip	1	396	37000	Electric Starter Motor	1
310	36205	Dipstick	1	400	36450A	Gasket Set	1
314	650873	Screw	1	900	—	Replacement Engine—none	0

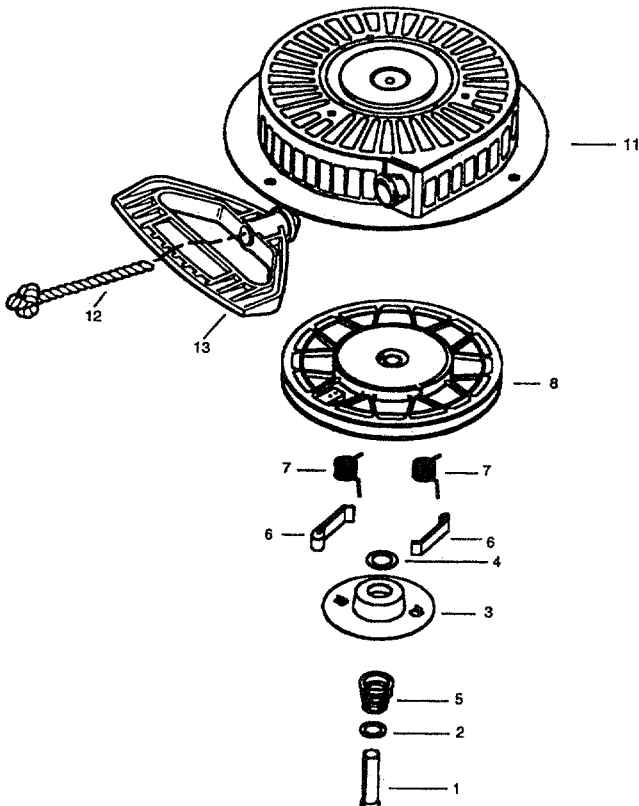
Craftsman Engine Model No. 143.988501 for Craftsman Snow Thrower Model 247.885500

Recoil Starter



Key No.	Part No.	Description	Qty.
0	590733	Rewind Starter	1
1	590599A	Spring Pin (Incl. 4)	1
2	590600	Washer	1
3	590696	Retainer	1
4	590601	Washer	1
5	590697	Brake Spring	1
6	590698	Starter Dog	2
7	590699	Dog Spring	2
8	590709	Pulley & Rewind Spring Ass'y.	1
11	590734	Starter Housing Ass'y.	1
12	590535	Starter Rope (Length 98" x 9/64" Dia.)	1
13	590574	Mitten Grip Handle (Not Included With Starter)	1

Recoil Starter (Optional)

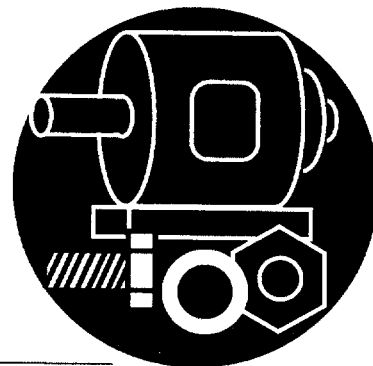


Key No.	Part No.	Description	Qty.
0	590749	Rewind Starter	1
1	590599A	Spring Pin (Incl. 4)	1
2	590600	Washer	1
3	590679	Retainer	1
4	590601	Washer	1
5	590678	Brake Spring	1
6	590680	Starter Dog	2
7	590412	Dog Spring	2
8	590682	Pulley & Rewind Spring Ass'y.	1
11	590750	Starter Housing Ass'y.	1
12	590535	Starter Rope (Length 98" x 9/64" Dia.)	1
13	590574	Mitten Grip Handle (Not Included With Starter)	1

**For the repair or replacement parts you need
delivered directly to your home**

Call 7 am - 7 pm, 7 days a week

1-800-366-PART
(1-800-366-7278)



For in-home major brand repair service

Call 24 hours a day, 7 days a week

1-800-4-REPAIR
(1-800-473-7247)



**For the location of a
Sears Parts and Repair Center in your area**

Call 24 hours a day, 7 days a week

1-800-488-1222



**For information on purchasing a Sears
Maintenance Agreement or to inquire
about an existing Agreement**

call 9 am - 5 pm, Monday-Saturday

1-800-827-6655



SEARS
REPAIR SERVICES

America's Repair Specialists

Manual Del Propietario

CRAFTSMAN[®]

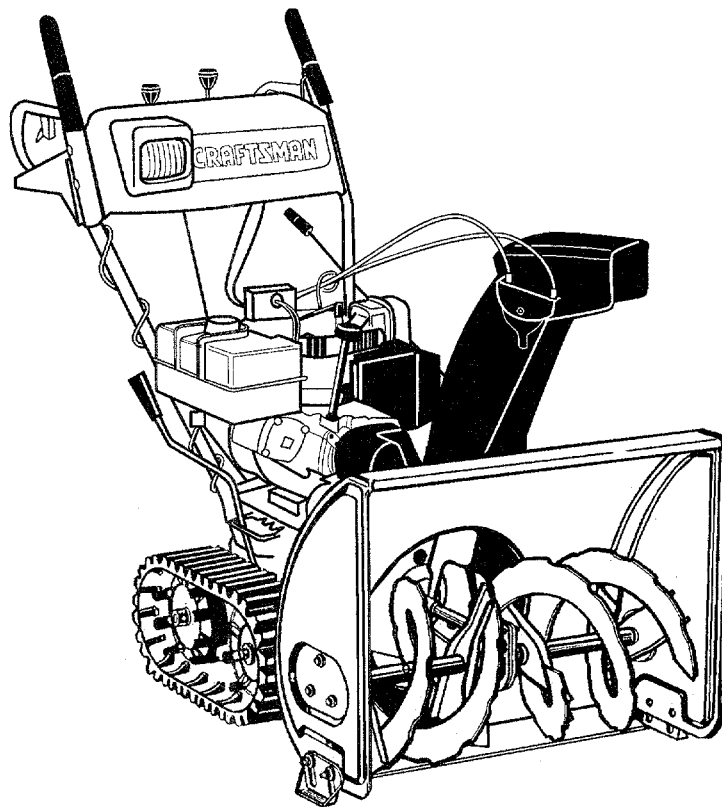
EXPULSOR DE NIEVE

8.5 CABALLOS DE FUERZA

PROPULSION DE ORUGA DE DOS ETAPAS DE 26"

No. De Modelo

247.885500



Precaución: Lea y siga todas las reglas e instrucciones de seguridad antes de operar este equipo.

Sears, Roebuck And Co., Hoffman Estates, IL 60179 USA

Form No. 770-0373A

TABLA DE CONTENIDO

Garantía	2	Mantenimiento.....	17
Operación Segura	3	Ajuste	19
Paquete de Ferrería	6	Almacenamiento fuera de temporada.....	22
Ensamblado	7	Localización de Fallas	23
Operación	12		

GARANTIA DE INFORMACIÓN

Por un año desde la fecha de compra cuando este expulsor de nieve Craftsman sea mantenido, lubricado y puesto a punto de acuerdo con las instrucciones de operación y mantenimiento en el manual del propietario, Sears reparará libre de costo cualquier defecto de material o de mano de obra.

Esta garantía se aplica por 30 días solamente a partir de la fecha de compra, si el expulsor de nieve se usa para fines comerciales o de alquiler.

Esta garantía no cubre:

..... Artículos desechables que se desgastan durante el uso normal, tales como zapatas deslizantes, placa raspadora y bujías.

..... Reparaciones necesarias a causa de abuso o negligencia por parte del operador, incluyendo cigüeñales doblados y la falla en mantener el equipo de acuerdo con las instrucciones contenidas en el manual del propietario.

El servicio de garantía está disponible si se devuelve el expulsor de nieve Craftsman al centro/departamento de servicio de Sears más cercano en los Estados Unidos.

Esta garantía se aplica solamente mientras este producto esté en uso en los Estados Unidos.

Esta garantía le otorga derechos legales específicos y usted puede también tener otros derechos que varían de Estado a Estado. Sears, Roebuck and Co., D817/WA, Hoffman Estates, IL 60179

Especificaciones Del Producto

Caballos de Fuerza:	8.5
Desplazamiento	19.43 pies.cub.
Capacidad de Combustible	4 cuartos
Bujía	RJ-19LM
Motor	Modelo 143.978501

Numero De Modelo	247.885500
Numero De Serie	
Fecha De Compra.....	
Los numeros de modelo y de serie se encuentran en el rotulo pegado al armazon del expulsor de nieve.	
Usted deberia registrar el numero de serie y la fecha de compra y guardarlos en un lugar seguro para referencia futura.	

PRÁCTICAS SEGURAS DE OPERACIÓN

ENTRENAMIENTO

- Lea cuidadosamente en su totalidad esta guía del propietario antes de tratar de ensamblar u operar esta máquina. Familiarícese completamente con los controles y el uso correcto de esta máquina antes de operarla. Mantenga este manual en un lugar seguro para referencia futura y regular y para ordenar piezas de repuesto.
- Nunca permita que niños menores de 14 años operen un expulsor de nieve. Los niños de 14 años y mayores deben operar el expulsor de nieve bajo una supervisión paterna estricta. Debe permitirse el uso de su expulsor de nieve a las personas bien familiarizadas con estas reglas de operación segura solamente.
- Nadie que esté intoxicado o que esté tomando medicinas que debiliten los sentidos o las reacciones debe operar esta unidad.
- Mantenga el área de operación despejada de todas las personas, especialmente niños pequeños y animales domésticos.
- Sea precavido para evitar resbalar o caer, especialmente al operar en marcha de retroceso.

PREPARACION

- Inspeccione completamente el área donde se usará el equipo y retire todos los felpudos, trineos, tablas, cables y otros objetos extraños.
- Desenganche todos los embragues y cambie a neutro antes de arrancar el motor.
- No opere el equipo sin usar ropas externas de invierno adecuadas. No use joyas, bufandas largas ni otras ropas holgadas que podrían enredarse en las piezas móviles. Use calzado que mejore la firmeza de su paso sobre superficies resbaladizas.
- Apague todos los cigarrillos y otras fuentes de encendido, antes de trabajar con gasolina. Inspeccione el combustible antes de arrancar el motor. La gasolina es un combustible extremadamente inflamable. No llene el tanque de gasolina bajo techo, mientras está funcionando el motor, o hasta que se haya permitido que el motor se enfríe durante dos minutos por lo menos. Antes de arrancar el motor, vuelva a colocar seguramente la tapa de gasolina y limpie toda la gasolina derramada, ya que de lo contrario puede causarse un incendio o una explosión.
- Para todas las unidades con motores de propulsión eléctrica o con motores de arranque eléctrico use un enchufe de tres cables conectado a tierra.
- Ajuste la altura del armazón colector para despejar una superficie de pedregullo o roca triturada.
- Nunca trate de efectuar ajustes mientras el motor está funcionando (excepto donde se recomiende específicamente por el fabricante).
- Antes de comenzar a despejar la nieve, permita que el motor y la máquina se ajusten a la temperatura exterior.
- Durante la operación o mientras efectúa un ajuste o reparación, use siempre lentes de seguridad o

protectores de ojos, para proteger los ojos contra objetos extraños que puedan ser despedidos por la máquina en cualquier dirección.

OPERACION

- No coloque las manos ni los pies cerca o debajo de piezas giratorias. Manténgase alejado en todo momento de la abertura de descarga y de la hélice.
- Sea muy precavido al operar o cruzar sobre entradas de pedregullo, senderos o caminos. Permanezca alerta por riesgos ocultos o tráfico.
- No transporte pasajeros.
- Después de golpear un objeto, apague el motor, extraiga el cable de la bujía, e inspeccione completamente el expulsor de nieve por averías. Antes de volver a arrancar y operar el expulsor de nieve, repare las averías.
- Si el expulsor de nieve comienza a vibrar anormalmente, apague el motor e inspeccione inmediatamente por la causa. La vibración es generalmente una advertencia de problemas.
- Apague el motor siempre que deje la posición operativa, antes de destapar el armazón del colector/propulsor o la guía de descarga, y efectuar reparaciones, ajustes, o inspecciones. Nunca coloque su mano en las aberturas de descarga o de colecta. Use un palo o un mango de madera de escobillón para destapar la abertura de descarga.
- Tome todas las precauciones posibles al dejar la unidad desatendida. Desenganche el colector/propulsor, cambie a neutro, arranque el motor, y extraiga la llave.
- Al limpiar, reparar o inspeccionar, asegúrese que se hayan detenido el colector/propulsor y todas las piezas móviles. Desconecte el cable de la bujía y manténgalo alejado de la bujía para prevenir un arranque accidental.
- No haga funcionar el motor bajo techo, excepto cuando arranque el motor y cuando transporte el expulsor de nieve dentro o fuera del edificio. Abra las puertas. Los humos de escape son peligrosos.
- No despeje nieve a través de la superficie de pendientes. Al cambiar de dirección en las pendientes sea muy precavido. No intente despejar pendientes muy pronunciadas.
- Nunca opere el expulsor de nieve sin que las guardas, placas, u otros mecanismos protectores de seguridad, estén en su lugar.
- Nunca opere el expulsor de nieve cerca de cerramientos de vidrio, automóviles, marcos de las ventanas, caídas, etc. sin el ajuste correcto del ángulo de descarga del expulsor de nieve. Mantenga alejados a los niños y a los animales domésticos.
- No intente sobrecargar la capacidad de la máquina intentando despejar la nieve a una velocidad demasiado elevada. Nunca opere la máquina a altas velocidades de transporte sobre superficies resbalosas. Mire hacia atrás y sea precavido al retroceder.
- Nunca dirija la descarga hacia los observadores ni permita que nadie se pare delante de la unidad.

- Cuando transporte o no esté en uso desconecte la potencia al colector/propulsor.
- Use sólo aditamentos y accesorios aprobados por el fabricante del expulsor de nieve (tales como pesos de la rueda, contrapesos, cables, etc.)
- Nunca opere el expulsor de nieve sin buena visibilidad o luz. Siempre esté seguro de su equilibrio y sujete bien los mangos. Camine, nunca corra.
- El silenciador y el motor se calientan y pueden causar una quemadura. No los toque.
- **MANTENIMIENTO Y ALMACENAMIENTO**
- Inspeccione los pernos de corte, pernos de montaje del motor, etc., a intervalos frecuentes para un ajuste correcto para asegurarse que el equipo esté en una condición segura de trabajo.
- Nunca almacene la máquina con combustible en el tanque de combustible dentro de un edificio donde estén presentes las fuentes de encendido, tales como calentadores de agua y ambiente, secadoras de ropa, y similares. Permita que el motor se enfríe antes de almacenar en cualquier recinto.
- Si el expulsor de nieve va a ser almacenado durante un periodo prolongado de tiempo, refiérase siempre a las instrucciones en la guía del propietario para detalles importantes.
- Haga funcionar la máquina por unos pocos minutos después de expeler la nieve, para prevenir la congelación de colector/propulsor.
- Inspeccione periódicamente los controles del embrague para verificar que se enganchen y desenganchen adecuadamente y reajuste si fuera necesario. Para las instrucciones de ajuste refiérase a la guía del propietario.



ADVERTENCIA: Busque este simbolo para indicar precauciones importantes de seguridad. ¡¡¡significa - atencion!!! ¡¡¡este alerta!!! esta en juego su se-guridad.

Estos figuran en su unidad. Aprenda y entienda su significado, y sígalos para asegurar la operación segura de su expulsor de nieve Sears.

! WARNING

1. **STOP ENGINE BEFORE REMOVING DEBRIS AND SERVICING UNIT.**
2. **KEEP CLEAR OF IMPELLER WHILE ENGINE IS RUNNING**
3. **NEVER DIRECT DISCHARGE AT BYSTANDERS OR WINDOWS OR ALLOW ANYONE IN FRONT OF UNIT**
4. **THOROUGHLY INSPECT THE AREA THE EQUIPMENT IS TO BE USED AND REMOVE ALL DOOR MATS, SLEDS, BOARDS, WIRES AND OTHER FOREIGN OBJECTS**
5. **REFER TO OWNERS MANUAL FOR FULL INSTRUCTIONS**

0783

! DANGER

2351A

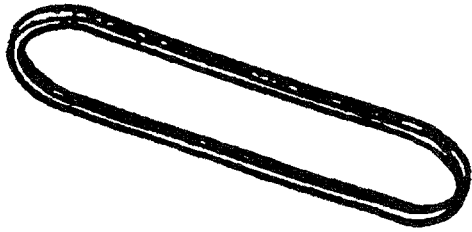
AVOID INJURY FROM ROTATING AUGER - KEEP HANDS, FEET AND CLOTHING AWAY.

! DANGER

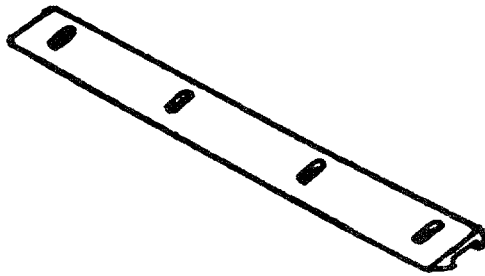
SHUT OFF ENGINE BEFORE UNCLOGGING DISCHARGE CHUTE.

ACCESORIOS DEL EXPULSOR DE NIEVE

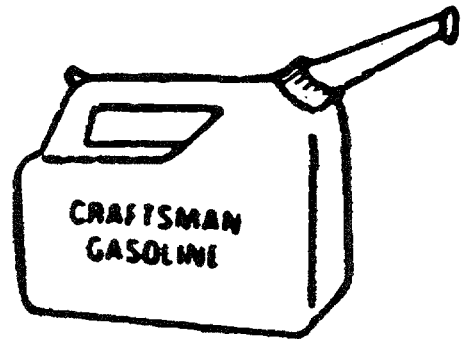
Estos accesorios estaban disponibles cuando se compró el expulsor de nieve. Están también disponibles en la mayoría de las tiendas minoristas de Sears y centros de catálogos y servicio. Cuando usted provea el número de modelo de su expulsor de nieve, la mayoría de las tiendas de Sears pueden ordenar piezas de repuesto para usted.



Correa



Barra raspadora



Recipiente de gasolina



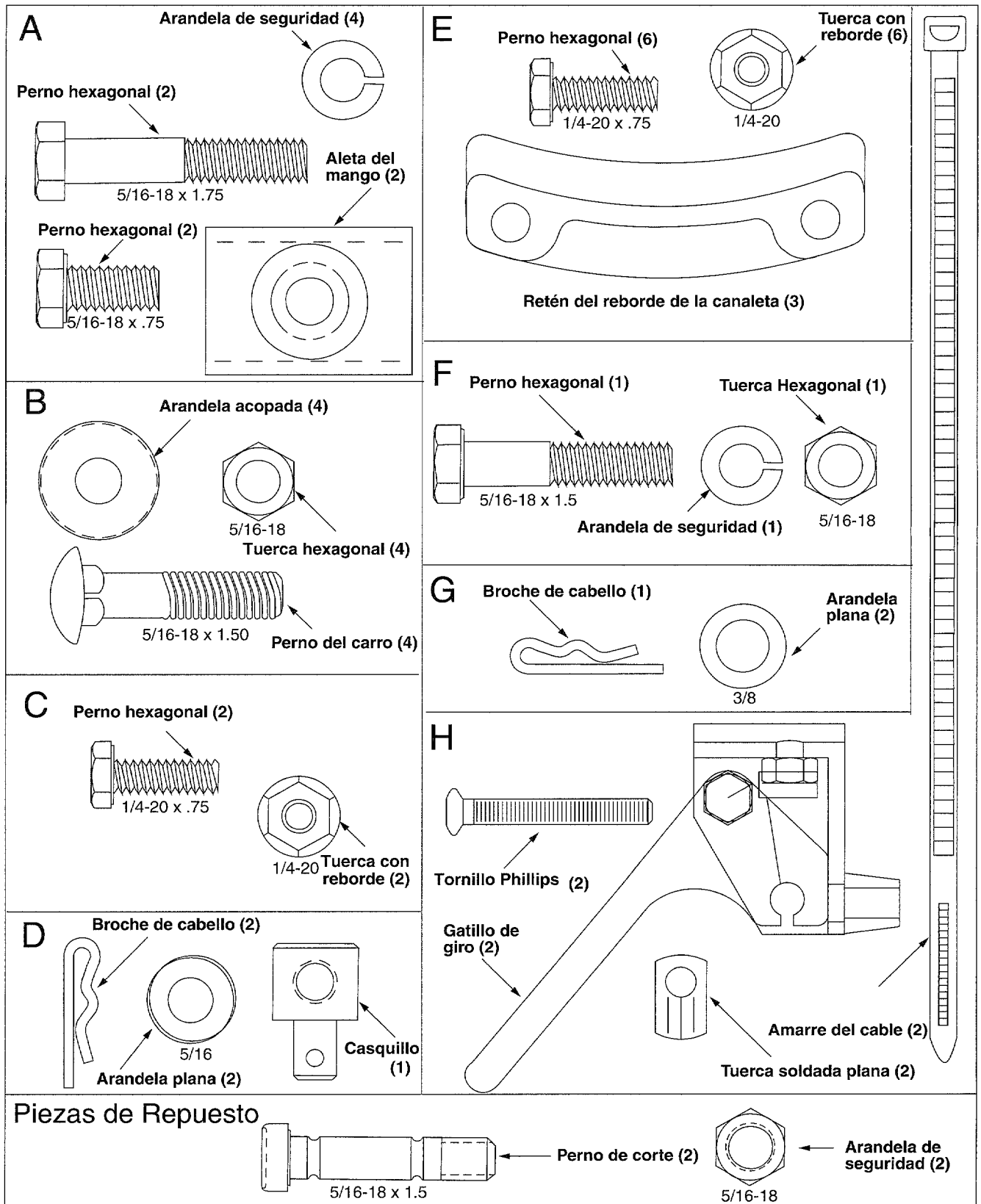
Aceite de dos tiempos



Bujía

CONJUNTO DE FERRETERIA DE FERRETERIA

Despliegue la ferretería de acuerdo con la ilustración para fines de identificación. Las piezas están ilustradas a la mitad de su tamaño aproximadamente. Los números de pieza se muestran entre paréntesis. (El conjunto de ferretería puede contener artículos adicionales que no se usan en su unidad.)



ENSAMBLADO

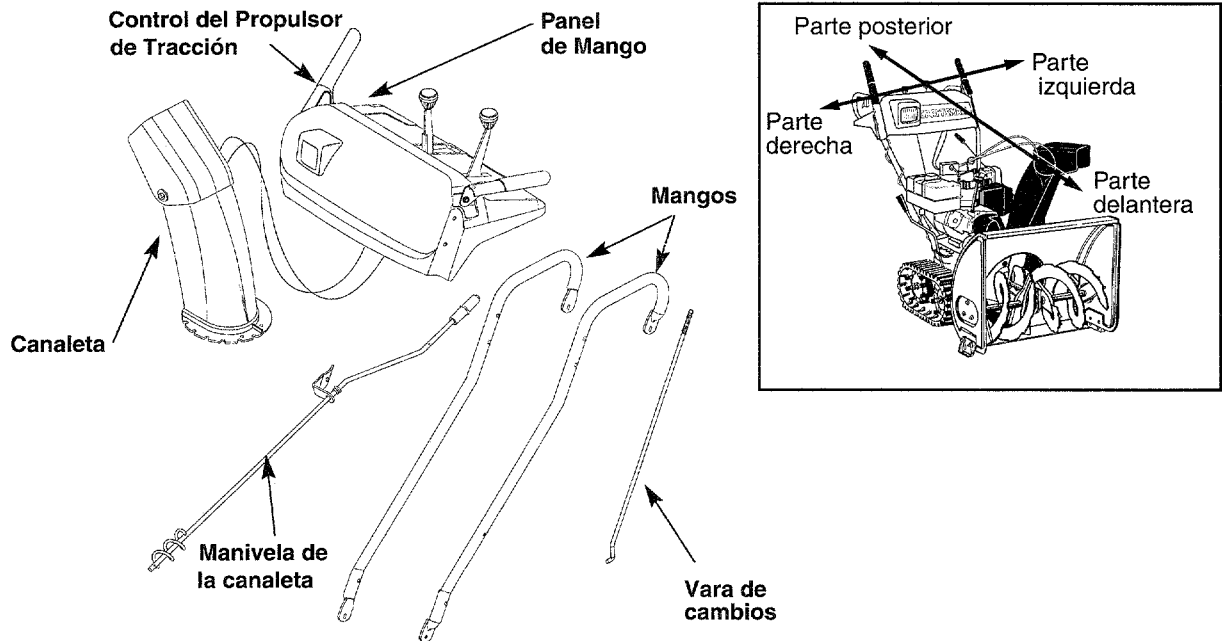


Figura 1

IMPORTANTE: Esta unidad ha sido despachada con aceite del motor **pero sin gasolina** en el motor. Después del ensamblado, vea la sección de OPERACION de este manual para selección y llenado de combustible.

NOTE: Para determinar los lados derecho e izquierdo de su expulsor de nieve, párese detrás de la unidad con el motor en la posición más alejada de usted. Vea el recuadro de la Figura 1.

Su expulsor de nieve ha sido completamente ensamblado de fábrica, excepto el mango y el panel del mango, el conjunto de la canaleta de descarga, el conjunto de la manivela de la canaleta y la vara de cambios.

Esas partes se despachan sueltas en la caja.

Extraccion De La Unidad De La Caja

- Corte las esquinas de la caja.
- Extraiga todas las inserciones de empaque..
- Ruede el expulsor de nieve fuera de la caja.
- Antes de descartar la caja, asegúrese que se hayan extraído todas las partes y la literatura.

Piezas Seltas

(Vea la Figura 1)

- a. Panel del mango y conjunto de la canaleta
- b. Mango del lado derecho
- c. Mango del lado izquierdo

- d. Conjunto de la manivela de la canaleta
- e. Vara de cambios
- f. Conjunto de ferretería

Sugerencias de ensamblado: Para facilitar el ensamblado, extraiga la canaleta de la caja y colóquela sobre el motor. No desenvuelva la canaleta hasta después de instalar el panel del mango, los cables del embrague y la cubierta de la correa.

Herramientas Requeridas

1. Llaves de 1/2", 7/16", 3/8" o un juego de llaves ajustables
2. Un juego de destornilladores de cabezal estándar
3. Un juego de destornilladores de cabezal phillips
4. Embudo



ADVERTENCIA: Antes de ensamblar el expulsor de nieve asegúrese que el cable de la bujía esté desconectado y aléjese de la bujía.

Fijacion Del Conjunto Del Mango

- Estire los cables de control y coloque sobre el piso. Coloque el mango derecho en posición con el lado plano contra el expulsor de nieve. *Usted puede identificar el mango derecho por la etiqueta del control del propulsor de tracción sobre el mismo y el mango izquierdo por la etiqueta del control del embrague de la hélice sobre el*

mismo.

- Asegure el orificio del fondo del mango al expulsor de nieve usando pernos hexagonales de 5/16x3/4" de largo y la arandela de seguridad del conjunto de ferretería (Grupo A en la página 6). No ajuste en este momento. Vea la Figura 2.

Arandela de seguridad y perno hexagonal (1-3/4")

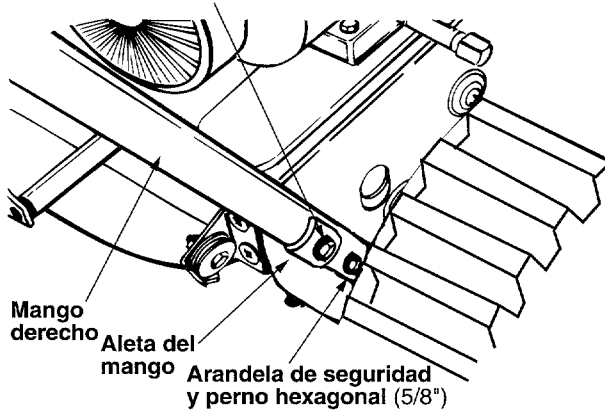
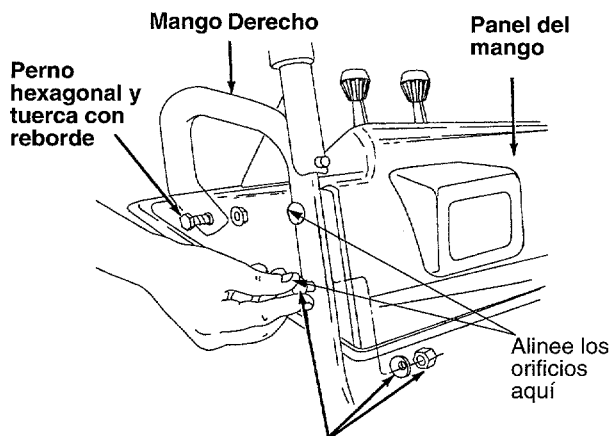


Figura 2

- Coloque una de las dos aletas del mango, incluidas en el conjunto de ferretería (Grupo A en la página 6), sobre el orificio superior en el mango, de manera que el contorno de la aleta del mango coincida con el del mango. Vea la Figura 2.
- Asegure el mango al expulsor de nieve usando un perno hexagonal (5/16 x 1-3/4" de largo) y una arandela de seguridad del mismo grupo en el conjunto de ferretería. No ajuste en este momento.
- Fije el mango izquierdo de la misma manera. No ajuste en este momento.
- Coloque el panel del mango en posición entre los mangos de manera que los extremos de la parte curvada de los mangos atraviesen las ranuras en el panel del mango. Alinee los orificios en el mango con los orificios en los dos lados del panel del mango. Vea la Figura 3.



Perno del carro, arandela acopada y tuerca hexagonal

Figura 3

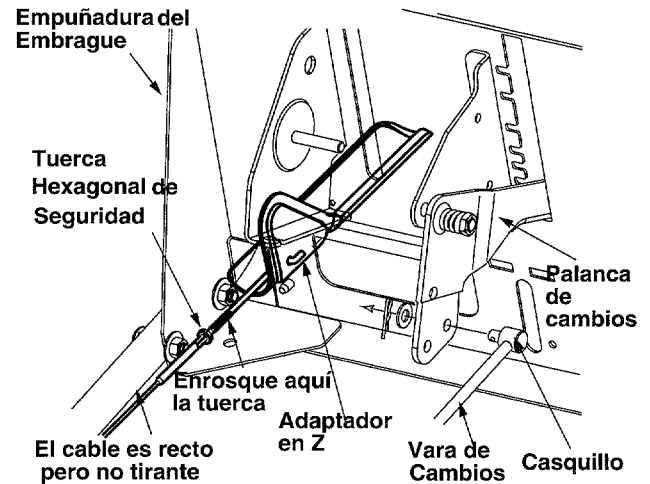
- Fije el panel del mango al mango con dos pernos del carro, arandelas acopadas (lado acopado contra el panel del mango) y tuercas hexagonales de cada lado. Vea la Figura 3. Usted encontrará esos sujetadores en

el conjunto de la ferretería (Grupo B en la página 6). Alinee el contorno de la cabeza del perno del carro con el mango.

- Fije cada lado del reverso del panel del mango con un perno hexagonal de 1/4-20 y tuerca con reborde del conjunto de la ferretería (Grupo C en la página 6). Vea la Figura 3. No ajuste en este momento.
- Ajuste toda la ferretería floja en el conjunto del mango en el siguiente orden-primero los pernos hexagonales al fondo del mango, a continuación los pernos del carro y finalmente los pernos hexagonales en el reverso del panel del mango.

Fijacion De Los Cables Del Embrague

- Los extremos en Z de los cables del embrague están enganchados dentro de las empuñaduras del embrague en cada mango.
- Enrosque las tuercas hexagonales de seguridad de .375" de ancho toda la distancia hasta la porción roscada de los extremos en Z de los cables del embrague. Vea la Figura 4.
- Coloque la empuñadura del embrague en la posición elevada (up).
- Enrosque el cable dentro de la porción roscada del extremo en Z y hasta que no haya exceso en el cable, pero que el cable NO esté tirante. Vea la figura 4. No ajuste el cable en exceso.
- Ajuste la tuerca hexagonal contra la porción del fondo del cable para asegurarlo en posición, cuando se alcance el ajuste correcto. Para asegurar la tuerca hexagonal use tenazas y una llave de 3/8". Ajuste de igual manera el cable de control del propulsor de tracción.



(Visto desde abajo del panel del mango)

Figura 4



ADVERTENCIA: Si hay tensión en el cable cuando se suelta la empuñadura, pueden anularse las características de seguridad del expulsor de nieve.

Fijacion De La Vara De Cambios

- Coloque la palanca de cambios en la posición de sexta (6) velocidad.
- Coloque el extremo doblado de la vara de cambio dentro del orificio en el conjunto del brazo de cambios. Vea la figura 5. Asegure con la arandela plana de 5/16 y el broche de cabello del conjunto de ferretería (grupo D en la página 6).
- Comience a enroscar el casquillo (incluido en el mismo grupo en el conjunto de ferretería) dentro del otro extremo de la vara de cambios. Tiene que alinearse con el orificio superior en la palanca de cambios (debajo del panel del mango). Mientras alinea el casquillo, empuje hacia abajo la vara de cambios y el conjunto del brazo de cambios tanto como pueda.
- Una vez que el casquillo se deslice dentro del orificio, gírelo en sentido contrario a las agujas del reloj una vuelta completa e inserte en el orificio en la palanca de cambios.

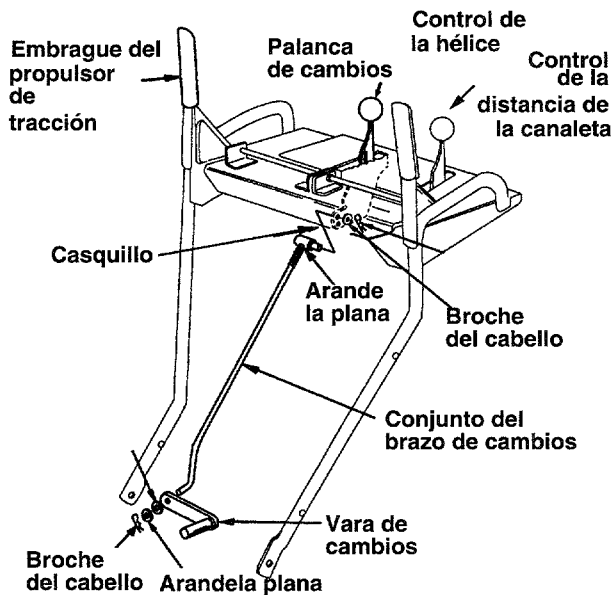


Figura 5

NOTA: Puede ser necesario mover la palanca de cambios fuera de la posición de sexta velocidad y moverla hacia la posición de quinta velocidad hasta que el casquillo se deslice dentro del orificio sin fuerza.

- Asegure el casquillo a la palanca de cambios con otra arandela plana de 5/16 y broche del cabello del grupo D del conjunto de ferretería. Vea la Figura 5.
- Antes de operar el expulsor de nieve, asegúrese de inspeccionar el ajuste correcto de la vara de cambios según las instrucciones de la sección de Ajustes.

Fijacion De La Canaleta

- Coloque el conjunto de la canaleta sobre la abertura de la canaleta, con la abertura en el conjunto de la canaleta enfrentando la parte delantera de la unidad.

NOTA: Asegúrese que los cables de la canaleta estén rectos mientras ensambla la canaleta.

- Coloque la guarda de la brida de la canaleta (lado plano hacia abajo) debajo del reborde del conjunto de la

canaleta según se muestra en la Figura 6. Usted encontrará las guardas de la brida de la canaleta en el Grupo E del conjunto de la ferretería.

- Inserte el perno hexagonal de 1/4-20 del grupo E del conjunto de ferretería (en la página 6) a través de la guarda de la brida de la canaleta y del conjunto de la canaleta según se muestra en la figura 6. No ajuste en este momento. Gire la canaleta para instalar todas las guardas de la brida.

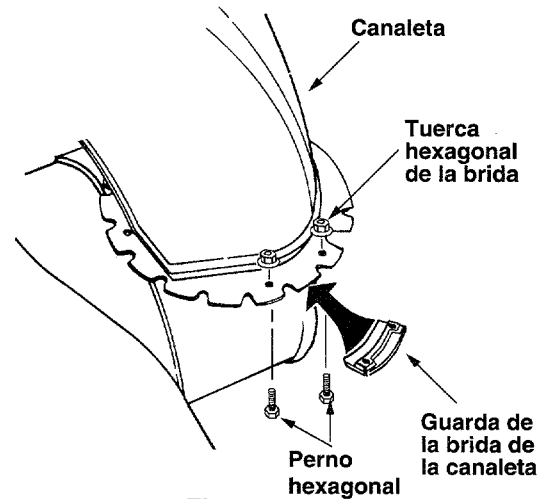


Figura 6

- Después de ensamblar todas las tres guardas de la brida de la canaleta, ajústelas y afloje 1/4 de vuelta para permitir un movimiento más fácil de la canaleta. Use dos (2) llaves de 7/16".

Fijacion De La Manivela De La Canaleta

Inserte el perno hexagonal de 5/16 x 1.5" (del grupo F del conjunto de ferretería en la página 6) a través del soporte superior de la manivela de la canaleta. Este soporte ya está ensamblado en la manivela de la canaleta. Vea la Figura 7 para la posición de la manivela de la canaleta en el expulsor de nieve.

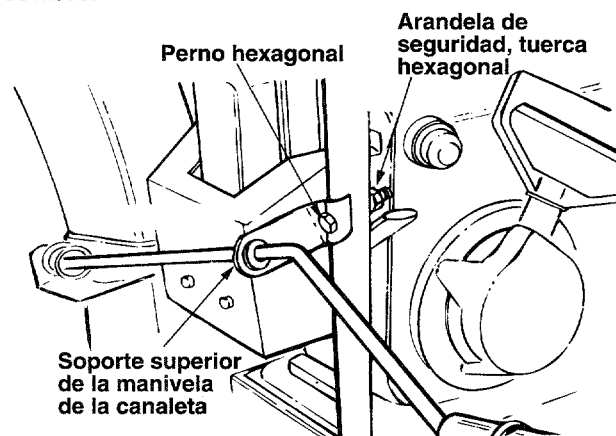


Figura 7

- Coloque el perno hexagonal dentro del orificio provisto en el mango izquierdo. Fije con la arandela de seguridad y la tuerca hexagonal de 5/16 del mismo grupo del conjunto de la ferretería. No ajuste hasta fijar el otro extremo de la manivela de la canaleta.
- Usted puede tener que aflojar los pernos del carro y las tuercas hexagonales de seguridad que aseguran el

soporte inferior de la manivela de la canaleta a la prolongación del lado izquierdo del conjunto de la canaleta. Vea la Figura 8.

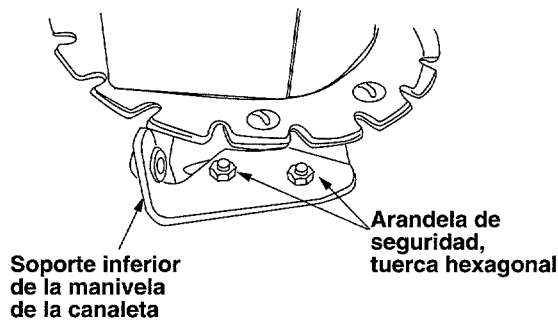


Figura 8

- Coloque una arandela plana de 3/8 de DI (del Grupo G del conjunto de ferretería) sobre el extremo de la manivela de la canaleta y a continuación inserte el extremo de la manivela dentro del orificio en el manguito plástico en el soporte de la manivela de la canaleta. Vea la figura 9.
- Coloque la otra arandela plana de 3/8 de DI (del mismo grupo del conjunto de ferretería) sobre el extremo de la manivela de la canaleta e inserte el broche del cabello dentro del orificio en el extremo de la manivela de la canaleta. Ver la Figura 9.
- Ajuste la manivela de la canaleta para que el espiral en la manivela de la canaleta encaje totalmente en los dientes del conjunto de la canaleta. Ajuste las tuercas en la parte inferior de la manivela de la canaleta.

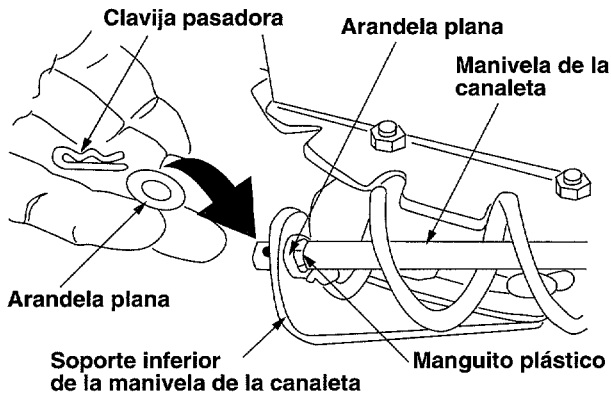


Figura 9

- Usando una llave, ajuste el perno hexagonal y la tuerca hexagonal en el soporte superior de la manivela de la canaleta.
- Usando la manivela de la canaleta, gire completamente esta última, para asegurar que se mueve libremente.
- Deslice los cables que se extienden desde el panel del mango a la canaleta dentro de la guía de cable ubicada al tope del motor. Vea la Figura 10.

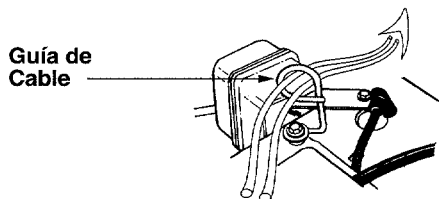


Figura 10

Fijacion De Los Gatillos De Giro

- Alimente el cable del gatillo a través del lado exterior de la ranura en el panel del mango. No alimente el cable a través del mismo lado de la ranura que el adaptador en Z.
- Asegúrese que el cable del gatillo de la mano derecha esté encaminado al frente del cable propulsor de tracción.
- Coloque el adaptador del tambor del cable dentro del orificio del gatillo. Usted puede encontrar los gatillos y la ferretería relacionada en el grupo H del conjunto de ferretería (en la página 6). Tire del cable y gírelo alrededor del fondo del gatillo, con el cable interior en la ranura, hasta que el extremo del cable pueda ser empujado dentro del armazón del gatillo y calzado firme. Vea la Figura 11.

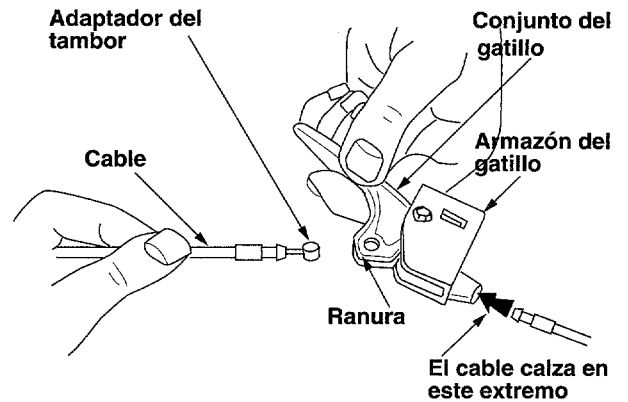


Figura 11

Nota: Usted no puede tirar del cable fuera del armazón del mismo, cuando el cable esté correctamente instalado.

- Coloque en posición el gatillo de giro a la derecha debajo del mango derecho. Asegure con el tornillo y suelde la tuerca del Grupo H del conjunto de ferretería. Vea la Figura 12. Usted necesitará un destornillador phillips para ajustar el tornillo.

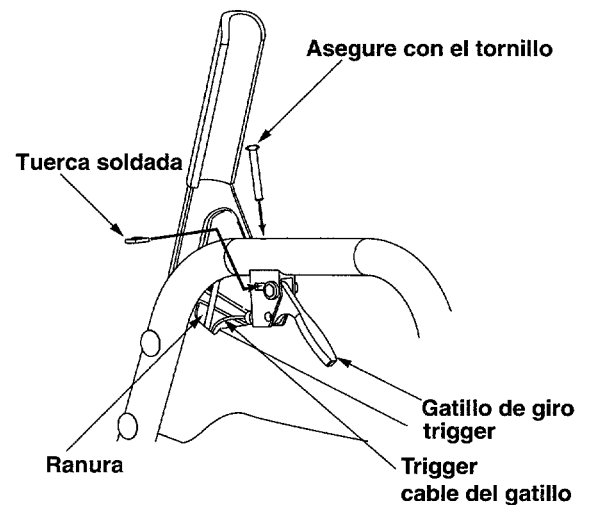


Figura 12

- Asegure el cable del gatillo de giro a la derecha al mango derecho inferior, usando el amarre de cable provisto en el conjunto de ferretería. Vea la Figura 13.

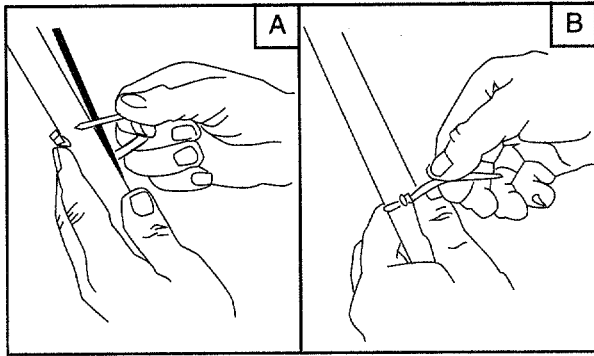


Figura 13

- Asegure el cable del gatillo de giro izquierdo de la misma manera.
- Corte los extremos excesivos de cada amarre de cable.

NOTA: El amarre del cable del lado derecho debe usarse para evitar el contacto con el brazo móvil de cambios de la transmisión.

Cableado de la Lámpara

- Envuelva el cable de la lámpara hacia abajo del mango derecho. Enchufe el cable dentro del cable guía del alternador debajo del tanque de combustible.

IMPORTANTE: Ensamble su expulsor de nieve, a continuación inspeccione los ajustes según las instrucciones y efectúe los ajustes finales necesarios antes de operar la unidad. El no seguir las instrucciones puede causar averías al expulsor de nieve.

Ajustes Finales

Ajuste del Control de la Hélice

- Para inspeccionar el ajuste del control de la hélice, empuje hacia adelante sobre la empuñadura izquierda del embrague hasta que esté comprimido el amortiguador de goma. Debe haber exceso en el cable del embrague.
- Suelte la empuñadura del embrague. El cable debe estar recto. Asegúrese de poder bajar completamente el mango de control de la hélice contra el mango izquierdo.
- Si es necesario ajustar, afloje la tuerca de seguridad hexagonal y enrosque el cable hacia adentro (para menos exceso) o hacia afuera (para más exceso).
- Vuelva a inspeccionar el ajuste. Ajuste la tuerca de seguridad contra el cable cuando se alcanza el ajuste correcto.

Ajuste del Control del Propulsor de Tracción

- Para inspeccionar el ajuste del control del propulsor de tracción y de la palanca de cambios, mueva la palanca de transferencia de peso a la posición de transporte (mostrado en la figura 16) y la palanca de cambios todo el recorrido hasta la sexta (6) posición.
- Con el control del propulsor de tracción desenganchado, mueva los gatillos hacia arriba hasta el mango y a continuación empuje el expulsor de nieve hacia adelante para verificar que giren las orugas.

- Suelte el control del propulsor de tracción y tire nuevamente del arrancador. La unidad no debe moverse.
- Antes de proceder con el ajuste, inspeccione para asegurarse que la **bujía está desconectada**.
- Si el control del propulsor de tracción requiere ajustes, afloje la tuerca de seguridad en el cable del propulsor de tracción y enrosque el cable una vuelta. Vuelva a inspeccionar el ajuste y repita según sea necesario.

NOTA: Para más detalles, refiérase a la sección de Ajustes.

Ajuste de la Zapata Deslizante

Puede cambiarse el espacio entre la placa raspadora y el suelo ajustando la zapata deslizante.

- Retorne la palanca de transferencia de peso (mostrada en la Figura 16) a su posición normal antes de ajustar las zapatas deslizantes.
- Para una eliminación estrecha de nieve, ajuste las zapatas deslizantes tan altas como sea posible para minimizar la separación entre la placa raspadora y el suelo.
- Para eliminar la nieve de terrenos irregulares tales como pedregullo, ajuste las zapatas deslizantes hacia abajo para crear suficiente espacio entre el borde inferior de la placa raspadora y el suelo.
- Ajuste las zapatas deslizantes aflojando las cuatro tuercas hexagonales y los pernos del carro y moviendo las zapatas deslizantes a la posición deseada. Asegúrese que toda la superficie inferior de la zapata deslizante esté apoyada sobre el suelo para evitar un desgaste irregular de las zapatas deslizantes. Vea la Figura 14.
- Vuelva a ajustar seguramente las tuercas y los pernos.

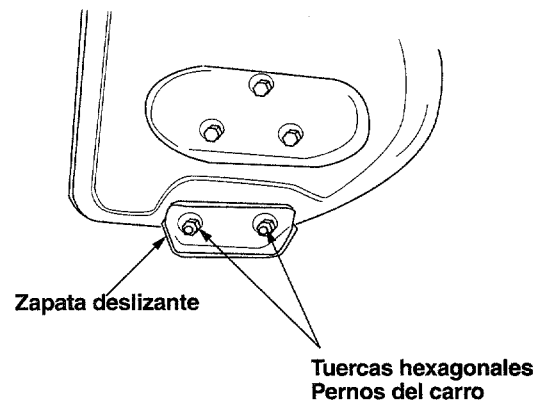


Figura 14

OPERACION

Conozca Su Expulsor De Nieve



ANTES DE HACER FUNCIONAR SU EXPULSOR DE NIEVE LEA ESTE MANUAL DEL PROPIETARIO Compare las ilustraciones en este figura 15 con su expulsor de nieve para familiarizarse con la ubicación de varios controles y ajustes. Guarde este manual para referencia futura.

La operación de un expulsor de nieve puede resultar en objetos despedidos contra los ojos, lo que puede resultar en lesiones graves de los ojos. Mientras opera el o efectúa ajustes o reparaciones al expulsor de nieve use siempre lentes de seguridad o protectores de los ojos.

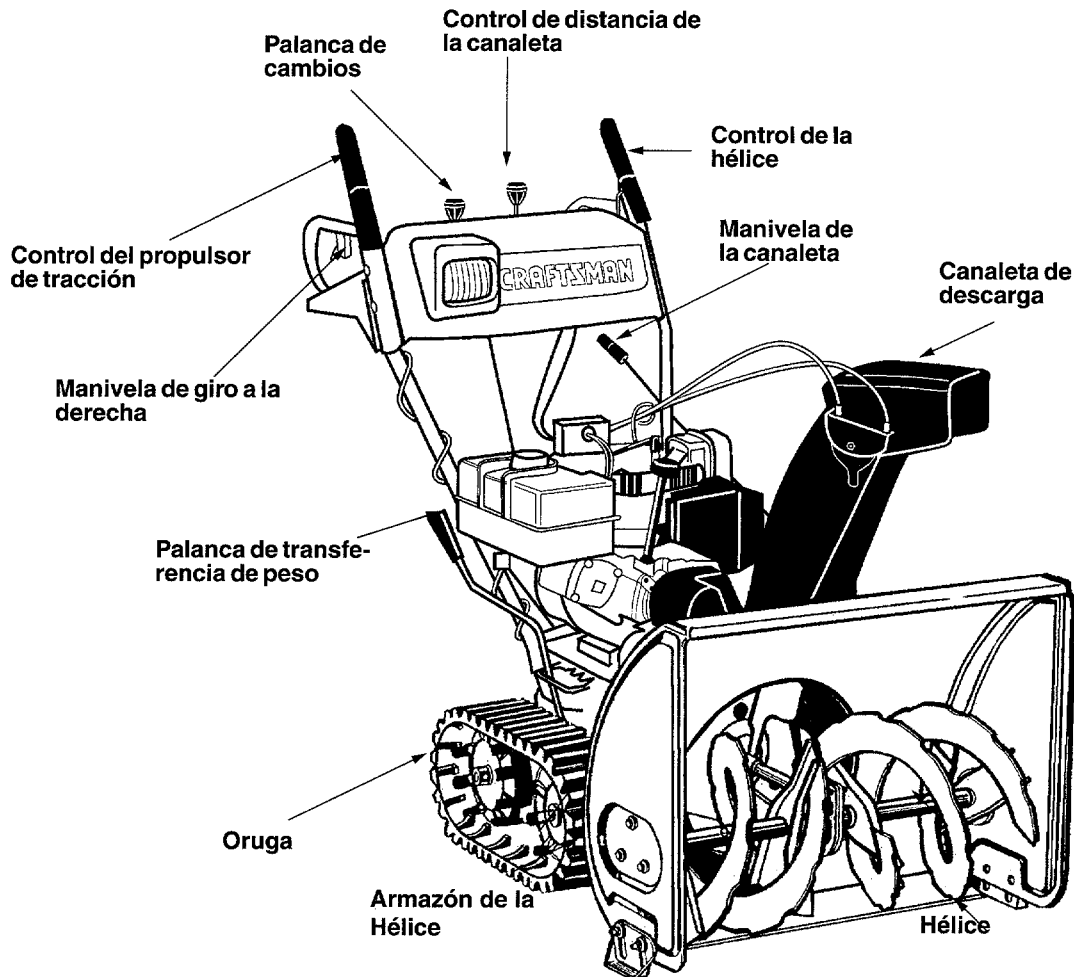


Figura 15

CUMPLE CON LOS REQUERIMIENTOS DE SEGURIDAD ANSI B71.3

Los expulsores de nieve Sears conforman con las normas de seguridad del American National Standards Institute (ANSI).

Manivela De La Canaleta

La manivela de la canaleta está ubicada del lado izquierdo del expulsor de nieve. Vea la figura 15. Para cambiar la dirección en la cual se despiden la nieve, gire la manivela de la canaleta como sigue: gire en el sentido de las agujas del reloj para descargar a la izquierda; gire en sentido contrario a las agujas del reloj para descargar a la derecha.

Control Del Acelerador

El control del acelerador está ubicado en el motor. Regula la velocidad del motor.

Interruptor De Seguridad Del Encendido

Debe insertarse la llave de encendido en el interruptor antes de arrancar la unidad. Cuando el expulsor de nieve no esté en uso extraiga la llave de encendido.

Gatillos De Giro Izquierdo Y Derecho

Los gatillos de giro izquierdo y derecho están ubicados en el lado inferior de los mangos y se usan para asistir en el cambio de dirección de su expulsor de nieve. Vea la figura 15. Accione el gatillo de giro derecho cuando gire a la derecha, accione el gatillo de giro izquierdo cuando gire a la izquierda. Opere su expulsor de nieve en áreas abiertas hasta que se familiarice con esos controles.

Palanca De Cambios

La palanca de cambios está ubicada en el centro del panel del mango. La palanca de cambios puede moverse a una de ocho posiciones. Use la palanca de cambios para determinar la velocidad sobre el suelo. **Avance** - una de seis velocidades; la posición uno (1) es la más lenta y la posición seis (6) es la más veloz.

Retroceso - dos velocidades de retroceso (R); R₂ es la más veloz.

Control De La Hélice

El control de la hélice está ubicado en el mango izquierdo. Vea la figura 15. Accione el control de la hélice contra el mango para enganchar las hélices; suelte para desenganchar las hélices. (Debe desengancharse también el control del propulsor de tracción).

Control Del Propulsor De Tracción

El control del propulsor de tracción está ubicado en el mango derecho. Accione el control del propulsor de tracción para enganchar el propulsor de la oruga; desenganche para detener. Vea la figura 15.

Esta misma palanca asegura también el control de la hélice de manera que usted puede girar la manivela de la canaleta sin interrumpir el proceso de expulsión. Si el control de la hélice se engancha cuando está enganchado el control del propulsor de tracción, usted puede desenganchar el control de la hélice (en el mango izquierdo) y las hélices permanecerán enganchadas. Para detener los propulsores de las hélices y de la rueda, desenganche el control del propulsor de tracción. (Debe desengancharse también el control de la hélice).

Control De Distancia De La Canaleta

Puede ajustarse la distancia a la cual se expelen la nieve mediante el ajuste del ángulo del conjunto de la canaleta. Avance el control de distancia de la canaleta para disminuir

la distancia y retroceda para aumentar la distancia. Vea la figura 15.

Palanca De Transferencia De Peso

Vea la figura 16. La palanca de transferencia de peso está ubicada a la derecha del expulsor de nieve y se usa para seleccionar la posición del armazón y el método de operación de la oruga. Mueva la palanca hacia la derecha, y a continuación avance o retroceda a una de las tres posiciones.

- Transporte** - Eleva el extremo delantero del expulsor de nieve para facilidad del transporte. Usando precaución, esta posición puede usarse también en muchas entradas de pedregullo para despejar la nieve mientras deja inalterado el pedregullo.
- Nieve normal** - Permite que las orugas se suspendan independientemente para un contacto continuo con el suelo.
- Nieve compactada** - Presiona contra el suelo el extremo delantero del expulsor de nieve para condiciones de nieve dura muy compactada o cubierta de hielo.

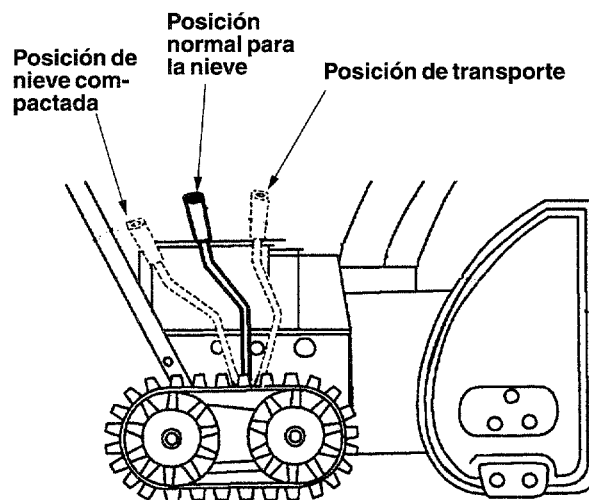


Figura 16

Detención Del Expulsor De Nieve

- Para detener la expulsión de nieve, desenganche la palanca del propulsor de la hélice.
- Para detener las orugas, suelte la palanca del propulsor de tracción.
- Para apagar el motor, empuje la palanca de control del acelerador a OFF y extraiga la llave de encendido. No gire la llave.

Para Expeler Nieve



PRECAUCION: Inpeccione el área a ser despejada por objetos extraños. Recójalos de haberlos.

- Mueva la palanca de transferencia de peso hacia la derecha, a continuación hacia adelante o atrás a la posición deseada.

- Arranque el motor siguiendo las Instrucciones de Arranque.
- Gire la canaleta de descarga a la dirección deseada, alejada de los observadores y/o edificios. Mueva el control de distancia de la canaleta hacia adelante o hacia atrás para ajustar la distancia a que se expelerá la nieve.
- Seleccione la velocidad de acuerdo con las condiciones de la nieve.
- Enganche las palancas de control de la hélice y de propulsión de tracción siguiendo las instrucciones precedentes.
- La característica de interbloqueo le permitirá retirar su mano izquierda de la palanca de control de la hélice.
- Al despejar su primera pasada a través de la nieve, controle la velocidad de tracción del expulsor de nieve de acuerdo con la profundidad y condición de la nieve.
- Para girar la unidad hacia la izquierda accione el gatillo izquierdo, para girar a la derecha accione el gatillo derecho.
- En cada pasada sucesiva, reajuste el deflector de canaleta a la posición deseada y superponga ligeramente con el recorrido previamente despejado.
- Después de despejar el área, apague el expulsor de nieve siguiendo las instrucciones precedentes.

Antes De Arrancar El Motor

Llene Con Gasolina



ADVERTENCIA: La gasolina es inflamable y debe ser precavido al manejarla o almacenarla.

No llene el tanque de combustible mientras está funcionando el expulsor de nieve, cuando está caliente o cuando está en una área cerrada.

Manténgalo alejado de llamas expuestas o de chispas eléctricas y no fume mientras llena el tanque de combustible.

Nunca llene completamente el tanque de combustible. Llene el tanque hasta 1/4"-1/2" desde el tope para proveer espacio para la expansión del combustible.

Para evitar derrames, llene siempre el tanque de combustible al aire libre y use un embudo o tubo de descarga.

Antes de arrancar el motor asegúrese de limpiar todo el combustible derramado.

Almacene la gasolina en un recipiente limpio y aprobado, y mantenga la tapa en su lugar en el recipiente.

- Asegúrese que el recipiente del cual usted vierte la gasolina esté limpio y libre de óxido o de otras partículas extrañas.
- Llene el tanque de combustible con gasolina limpia, fresca, sin plomo de grado automotriz. Vea la figura 17.
- Al final de la tarea, vacíe el tanque de combustible si el expulsor de nieve no será usado por 30 días o más. Vea las instrucciones de Almacenamiento en este manual.

NOTA: La experiencia indica que los combustibles mezclados con alcohol (llamado gasohol) o aquellos que usan etanol o metanol pueden atraer humedad lo que

conduce a la separación y formación de ácidos durante el almacenamiento.

El gas ácido puede dañar el sistema de combustible de un motor mientras está almacenado.

Nunca use productos de limpieza de motor o carburador en el tanque de combustible ya que en caso contrario puede ocurrir un daño permanente.

Para Arrancar El Motor

Vea la figura 17.



ADVERTENCIA: Asegúrese que el **operador solamente esté** parado cerca del expulsor de nieve mientras arranca u opera. **No opere** este expulsor de nieve a menos que el conjunto de la canaleta de descarga haya sido adecuadamente instalada y esté asegurada.

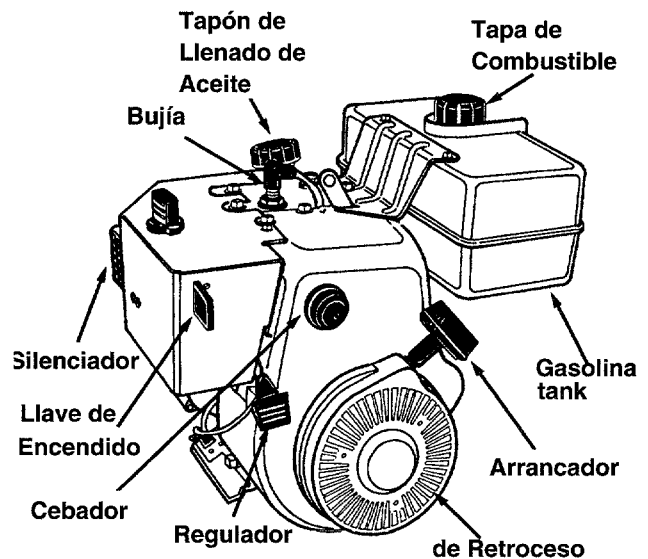


Figura 17

Arrancador Electrico

Asegúrese que el motor tiene suficiente aceite. El motor del expulsor de nieve está equipado con un arrancador eléctrico de 120 V.C.A. y arrancador de retroceso. El arrancador eléctrico está equipado con un cordón de tres conductores y un enchufe, y está diseñado para operar con la corriente casera de 120 voltios de CA. Siga cuidadosamente todas las instrucciones.

Arranque En Frio

NOTA: Si la unidad muestra cualquier indicación de movimiento (propulsor o hélices) con las empuñaduras del embrague desenganchadas, apague inmediatamente el motor. Reajuste según se instruye en la sección de "Ajustes Finales" de las instrucciones de Ensamblado.



ADVERTENCIA: El arrancador debe conectarse correctamente a tierra en todo momento para evitar la posibilidad de choque eléctrico que puede causar lesiones al operador.

- Determine que el cableado de su casa es un sistema de tres conductores conectado a tierra. Si no está seguro, consulte con un electricista licenciado.
- Si el sistema de cableado de su casa está conectado a tierra y no está disponible un receptáculo de tres orificios en el punto en el cual normalmente se usará el expulsor de nieve, debe instalarse uno por un electricista licenciado.



ADVERTENCIA: No use este arrancador eléctrico bajo ninguna condición, si el sistema de cableado de su casa no es un sistema de tres conductores conectado a tierra

- Al conectar el cordón de potencia, conecte siempre primero el cordón al arrancador del motor, a continuación enchufe el otro extremo dentro de un receptáculo de tres orificios conectado a tierra.
- Al desconectar el cordón de potencia, siempre desenchufe primero el extremo del receptáculo de tres orificios conectado a tierra.
- Fije el conductor de la bujía a la bujía.
- Asegúrese que las palancas del propulsor de la hélice y del propulsor de tracción estén en la posición desenganchada de RELEASED.
- Mueva la palanca de control del acelerador a la posición FAST.
- Extraiga las llaves de la bolsa plástica. Presione la llave dentro de la ranura de encendido. Asegúrese que calce en su lugar. **NO GIRE LA LLAVE.** Mantenga la segunda llave en un lugar seguro.
- Gire la perilla del regulador a la posición FULL del regulador.
- Conecte el cordón de potencia a la caja del interruptor del motor.
- Enchufe el otro extremo del cordón de potencia dentro de un receptáculo de tres orificios, conectado a tierra de 120 voltios de C.A.
- Presione el botón del cebador mientras cubre el orificio de ventilación como sigue: (Retire el dedo del botón del cebador entre cebados).
 - i Cebe dos veces si la temperatura está entre 50°F y 15°F.
 - ii Cebe cuatro veces si la temperatura es inferior a 15°F.
- Presione el botón del arrancador hasta que arranque el motor. No intente arrancar por más de 10 segundos por vez. Este arrancador está térmicamente protegido. Si se sobrecalienta, se apagará automáticamente y puede arrancarse nuevamente cuando se haya enfriado a una temperatura segura solamente (se requiere una espera de 5 a 10 minutos).
- Suelte el botón del arrancador y gire lentamente el regulador a la posición OFF, cuando arranque el motor. Si el motor vacila, gire el regulador a FULL y a continuación gradualmente a OFF.
- Desconecte primero el cordón de potencia del receptáculo y a continuación de la caja del interruptor del motor.
- Permita que el motor se caliente por unos pocos minutos ya que el motor no desarrollará su potencia plena hasta que alcance la temperatura de operación.
- Opere el motor con el acelerador a fondo (FAST) cuando expele nieve.

Arranque En Caliente

- Si está arrancando un motor caliente después de apagarlo, gire el regulador a OFF en lugar de FULL y no presione el botón del cebador.

Arranque Del Motor

Arrancador De Retroceso

Asegúrese que el motor tiene aceite suficiente y que estén desenganchadas (seltas) las palancas del propulsor de la hélice y del propulsor de tracción.

- Mueva el control del acelerador a la posición FAST.
- Introduzca la llave dentro de la ranura del encendido y asegúrese de que calce en su lugar. No gire la llave. Extraiga la bolsa plástica y mantenga la segunda llave en un lugar seguro.
- Gire el control del regulador a la posición FULL del regulador..
- Mientras cubre el orificio de ventilación, presione el botón del cebador. Retire el dedo del botón del cebador durante cebados.
- No cebe si la temperatura es superior a 50°F.
- Cebe dos veces a temperaturas entre 50°F y 15°F.
- Cebe cuatro veces en temperaturas inferiores a 15°F.
- Tire rápidamente del mango del arrancador. No permita que el mango retroceda rápidamente sino que se enrolle lentamente mientras sujeta firmemente el mango del arrancador.
- A medida que el motor se calienta y comienza a funcionar uniformemente, gire lentamente la perilla del regulador a la posición OFF. Si el motor vacila, retorne a regulador FULL, a continuación mueva lentamente a la posición OFF del regulador.
- Permita que el motor se caliente durante unos pocos minutos ya que el motor no desarrollará su plena potencia hasta que alcance la temperatura de operación.
- Al expeler nieve, haga funcionar el motor a acelerador pleno (FAST).

Arranque En Caliente

- Si arranca un motor caliente después de apagar, gire el regulador a OFF en lugar de FULL y no presione el botón del cebador.

Arrancador De Retroceso Congelado

Si el arrancador está congelado y no gira el motor, proceda como sigue:

- Tire tanta cuerda como pueda del arrancador.
- Suelte el mango del arrancador y permita que salte contra el arrancador.
- Si el motor todavía falla en arrancar, repita los dos primeros pasos. Si los intentos continuados no liberan el arrancador, siga los procedimientos del arrancador eléctrico para arrancar.

Para ayudar a prevenir la posible congelación del arrancador de retroceso y de los controles del motor, siga los dos próximos pasos después de cada tarea de eliminación de nieve.

Para Apagar El Motor

Arrancador Eléctrico:

- Antes de apagar el motor para ayudar a secar la humedad, haga funcionar el motor por unos pocos minutos.
- Proceda como siga, para ayudar a prevenir una congelación posible del arrancador.
- Conecte el cordón de potencia a la caja del interruptor del motor y a continuación a un receptáculo de 120 voltios de CA.
- Con el motor funcionando, presione el botón del arrancador y gire el arrancador por varios segundos. El sonido poco común emitido al girar el arrancador no dañará el motor ni el arrancador.
- Desconecte primero el cordón de potencia del receptáculo y a continuación de la caja del interruptor.
- Para apagar el motor extraiga la llave de encendido. No gire la llave. Desconecte el conductor de la bujía de la bujía para prevenir un arranque accidental mientras el motor está desatendido.
- Frote para limpiar toda la nieve y la humedad del carburador que cubre el área de la palanca de control. Mueva también varias veces el control del acelerador, el control del regulador, y el mango del arrancador.
- Deje la palanca de control del acelerador en la posición STOP u OFF. Deje el control del regulador en la posición plena de FULL.

NOTA: No pierda la llave de encendido. Manténgala en un lugar seguro. El motor no arrancará sin la llave de encendido.

Arrancador de retroceso:

- Con el motor funcionando, tire fuerte tres o cuatro veces, de la cuerda de arranque con una pasada continua usando todo el brazo. Esto producirá un sonido fuerte de golpeteo que no es perjudicial para el motor o para el arrancador.
- Con el motor sin funcionar, frote para limpiar toda la nieve y la humedad del carburador que cubre el área de la palanca de control. Mueva también varias veces el control del acelerador, el control del regulador, y el mango del arrancador.

Para Enganchar El Propulsor

- Accione el control izquierdo de la hélice para

engancharla.

- Con el motor funcionando cerca de la velocidad tope, mueva la palanca de cambios a una de las seis posiciones de FORWARD (AVANCE) o dos posiciones de REVERSE (RETROCESO). Seleccione una velocidad adecuada para las condiciones existentes de nieve. Use las velocidades menores hasta que se familiarice con la operación del expulsor de nieve.
- Mientras está enganchado el control izquierdo de la hélice, accione el propulsor de tracción/control del propulsor de tracción derecho para mover, desenganche para detener. Mientras el propulsor está enganchado no cambie velocidades.
- **Deben desengancharse ambas palancas para detener la hélice.** Desenganche el control izquierdo de la hélice; el mecanismo de bloqueo mutuo debe mantener enganchado el control izquierdo de la hélice hasta que se desenganche el propulsor de tracción/control del propulsor de tracción derecho. Desenganche y se detendrá el movimiento del propulsor.
- Accione el gatillo izquierdo para girar a la izquierda; accione el gatillo derecho para girar a la derecha.

NOTA: NUNCA mueva la palanca de cambio sin desenganchar primero el embrague del propulsor.

Consejos De Operacion

NOTA: Permita que el motor se caliente por unos pocos minutos ya que el motor no desarrollará una potencia plena hasta que alcance la temperatura de operación.



Advertencia: La temperatura del silenciador y de las áreas circundantes puede exceder 150°F. Evite esas áreas.

- Para la eliminación más eficiente de la nieve, elimine la nieve inmediatamente después de caer.
- Cuando sea posible descargue la nieve en la dirección del viento. Superponga ligeramente cada pasada previa.
- Para uso normal gradúe las zapatas deslizantes a 1/4" por debajo de la barra raspadora. Las zapatas deslizantes pueden ajustarse verticalmente para nieve dura compactada. Ajuste hacia abajo al usar sobre pedregullo o roca triturada.
- Para prevenir una posible congelación, siga las precauciones listadas bajo "Apagado del Motor" y "Arrancador de Retroceso Congelado".
- Después de cada uso, limpie completamente el expulsor de nieve.



Instrucciones Abreviadas de Arranque

Expulsor de Nieve	Cable de la bujía	Palancas propulsoras	Control del acelerador	Llave de encendido	Regulador	Cordón de potencia	Cebador	Arrancador	Después de arrancar
Arrancador Eléctrico	Conecte	Suelte	Mueva a FAST	Presione para calzar	Mueva a FULL	Conecte a la fuente Cebado	—	Presione el botón	1. Suelte el botón 2. Mueva el regulador a Off 3. Desconecte el cordón
Arrancador de Retroceso	Conecte	Suelte	Mueva a FAST	Presione para calzar	Mueva a FULL	—	Cebe	Tire del mango	1. Suelte el mango 2. Mueva el regulador a Off

MANTENIMIENTO

Recomendaciones Generales

- Observe siempre las reglas de seguridad al efectuar el mantenimiento.
- La garantía en este expulsor de nieve no cubre artículos que han estado sujetos a abuso o negligencia por el operador. El operador debe mantener el expulsor de nieve según las instrucciones de este manual, para recibir el valor completo de la garantía.
- Para mantener adecuadamente su unidad, deben efectuarse ajustes periódicamente.
- Todos los ajustes en la Sección de Servicio y Ajustes de este manual deben inspeccionarse una vez por temporada por lo menos.
- Observe el programa de mantenimiento indicado abajo.
- Inspeccione periódicamente todos los sujetadores y asegúrese que estén bien ajustados.



ADVERTENCIA: Antes de efectuar cualquier ajuste o reparación, siempre apague el motor, **desconecte** el cable de la bujía y aléjelo de la bujía.

Lubricacion

(Vea la figura 18.)

Eje De Engranajes

- Lubricate Lubrique el eje de engranajes con grasa una vez por temporada por lo menos o después de cada 25 horas de funcionamiento.

IMPORTANTE: Mantenga toda la grasa y aceite fuera de la rueda de fricción y de la placa propulsora.

Mecanismo De Cambios

- Lubricate Lubrique el mecanismo de cambios y los puntos de pivote en la vara de cambios con aceite de motor una vez por temporada por lo menos o después de cada 25 horas de funcionamiento.

Propulsor De Traccion/Control Del Propulsor De Traccion

- Lubrique las levas en los extremos de las varas de control que bloquean entre sí los controles del propulsor de tracción y de la hélice una vez por temporada por lo

Responsabilidades del cliente

PROGRAMA DE MANTENIMIENTO		ANTES DE CADA USO	DESPUES DE CADA USO	PRIMERAS 5 HORAS	CADA 25 HORAS	CADA 50 HORAS	ANTES DE ALMACENAR	FECHAS DE SERVICIO*														
PRODUCTO	Lubrique los puntos de pivote			✓		✓																
	Limpie el expulsor de nieve	✓				✓																
	Limpie la placa raspadora			✓																		
	Limpie las zapatas deslizantes			✓																		
	Inspeccione las correas en V					✓																
	Inspeccione la goma de la rueda de fricción			✓																		
MOTOR	Inspeccione el aceite del motor	✓																				
	Cambie el aceite del motor		✓	✓																		
	Limpie el filtro de aire			✓																		
	Inspeccione la bujía					✓	✓															
	Inspeccione el silenciador					✓																

* Anote las fechas a medida que completa el servicio regular

✓ Marca

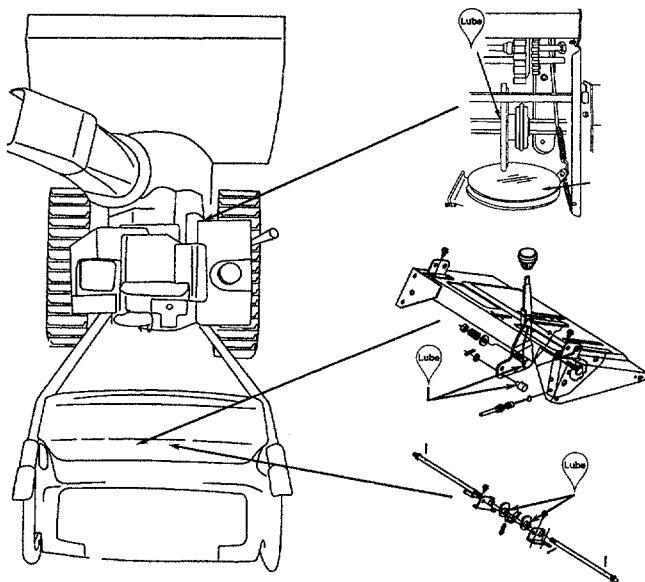


Figura 18

menos o cada veinticinco horas de funcionamiento con grasa. Puede obtenerse acceso a las levas por debajo del panel del mango.

Caja De Engranajes

- La caja de engranajes está lubricada con grasa de fábrica y no requiere inspección. Si se desarma por cualquier motivo, lubrique con 2 onzas de grasa.

Rodamientos

- Lubrique una vez por temporada, los rodamientos de las hélices, los rodamientos de las ruedas y los rodamientos de la sección lateral del armazón, con aceite liviano.

Mantenimiento del Motor

Aceite De Motor

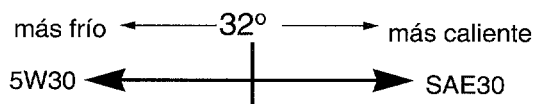


Tabla de la Viscosidad

Use aceite detergente de alta calidad solamente clasificado con la clasificación API de servicio SF, SG o SH. Seleccione el grado de viscosidad SAE del aceite de acuerdo con la temperatura operativa esperada.

NOTA: A pesar que los aceites de viscosidad múltiple (5W30, 10W30, etc.) mejore el arranque en tiempo frío, esos aceites de viscosidad múltiple resultarán en un consumo mayor de aceite cuando se usen a temperaturas superiores a 32°F. Para evitar averías posibles a su motor debidas a tener poco aceite, inspeccione el nivel de aceite de su expulsor de nieve más frecuentemente.

Para una selección adecuada del aceite del motor, refiérase

a la tabla de viscosidad. El aceite debe estar en la marca FULL de la varilla medidora, con el motor sobre un suelo nivelado.

Cambio de aceite

Cambie el aceite del motor después de las primeras dos horas de operación y cada 25 horas posteriormente.

- Apague el motor y espere varios minutos antes de inspeccionar el nivel de aceite. Extraiga el tapón de llenado de aceite y a varilla medidora.
- Frote limpia la varilla medidora, insértela firmemente dentro del orificio de llenado de aceite.
- Extraiga la varilla e inspeccione. Si el aceite no está hasta la marca FULL en la varilla, agregue aceite 5W30.

Para cambiar el aceite cada 25 horas de operación, usted tendrá primero que drenar el aceite usado del motor y llenar con aceite fresco.

- Drene el aceite mientras el motor esté caliente. Extraiga el tapón de drenaje de aceite. Vierta el aceite en un recipiente adecuado. Vuelva a colocar seguramente el tapón de drenaje, cuando se ha drenado todo el aceite.
- Extraiga la varilla del tapón de llenado de aceite. Vea la Figura 17 para la ubicación del tapón de llenado de aceite. Vierta lentamente aceite fresco a través del tapón. Vuelva a colocar la varilla.
- Inspeccione y asegúrese que el nivel de aceite esté hasta la marca FULL en la varilla.



ADVERTENCIA: La temperatura del silenciador y de las áreas cercanas **puede exceder los 150°F (65°C)**. Evite esas áreas.

Bujía

- Limpie el área alrededor de la base de la bujía.
- Extraiga e inspeccione la bujía.
- Reemplace la bujía si los electrodos están mellados, quemados o está agrietada la porcelana. Para más detalles refiérase al manual del motor.
- Limpia la bujía y reajuste la separación .030" una vez por temporada por lo menos o cada 50 horas de operación. Se recomienda el reemplazo de la bujía al comienzo de cada temporada. Refiérase a la lista de piezas del motor para el tipo correcto de bujía. Vea la figura 19.

NOTA: No limpie la bujía con chorro de arena. La bujía debe limpiarse raspando o cepillando con un cepillo de alambre y lavando con un solvente comercial.

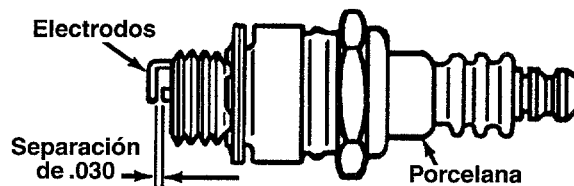


Figura 19

AJUSTES



ADVERTENCIA: Antes de efectuar cualquier ajuste o reparación, siempre apague el motor, desconecte el cable de la bujía y aléjelo de la bujía. Mientras el motor está funcionando, nunca trate de limpiar la canaleta ni efectuar ajustes.

Control Del Propulsor De Tracción



Para ajustar el control del propulsor de tracción, refiérase a la sección de Ajustes Finales. El ajuste puede inspeccionarse físicamente como sigue, si usted está inseguro de haber alcanzado el ajuste correcto.

- Drene la gasolina o coloque una lámina plástica debajo de la tapa de gasolina si el expulsor de nieve ya ha funcionado.
- Incline el expulsor de nieve hacia adelante y extraiga los cuatro tornillos autoroscantes que sujetan la cubierta del armazón debajo del expulsor de nieve.
- Con el control del propulsor desenganchado, asegúrese que haya espacio entre la rueda de fricción y la placa de fricción en todas las posiciones de la palanca de cambios.
- Con el control del propulsor de tracción enganchado, asegúrese que la rueda de fricción toque la placa de fricción. Vea la figura 20.

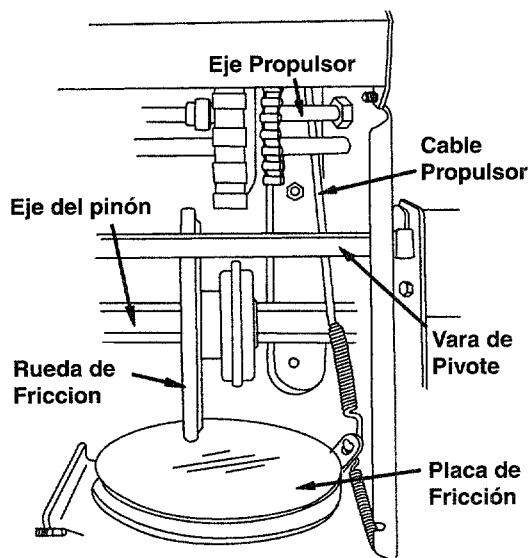


Figura 20

- Si es necesario ajustar, afloje la tuerca de presión en el cable propulsor de tracción y enrosque el cable hacia adentro o hacia afuera según sea necesario.
- Ajuste la tuerca de presión para asegurar el cable cuando se alcance el ajuste correcto. Vuelva a ensamblar la cubierta del armazón.

NOTA: Si colocó plástico debajo de la tapa de gasolina, asegúrese de extraerlo.

Helices

Las hélices están aseguradas al eje de la espiral mediante dos pernos de corte y contratuercas hexagonales. Si usted

golpea un objeto extraño o se atasca con hielo, el expulsor de nieve está diseñado de manera que los pernos hexagonales se cortarán.

- Si las hélices no giran, inspeccione para verificar si los pernos se han cortado. Vea la figura 21. Reemplace si fuera necesario. Se han provisto dos pernos hexagonales y contratuercas hexagonales de repuesto con el expulsor de nieve.

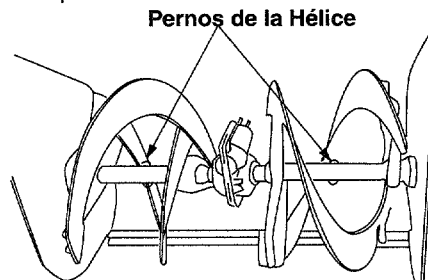


Figura 21

Vara De Cambios

Para ajustar la vara de cambios, proceda como sigue.

- Extraiga el broche del cabello y la arandela plana del casquillo debajo del panel de cambios. Extraiga el casquillo del orificio de la palanca de cambios. Vea la figura 22.
- Coloque la palanca de cambios del panel del mango en la sexta (6) posición (todo hacia adelante).
- Presione hacia abajo sobre la vara de cambios (y conjunto del brazo de cambios) tan lejos como sea posible. Mantenga en esta posición.
- Enrosque el casquillo hacia arriba o hacia abajo de la vara de cambios según sea necesario hasta que el casquillo se alinee con el orificio superior de la palanca de cambios. Vea la figura 22.

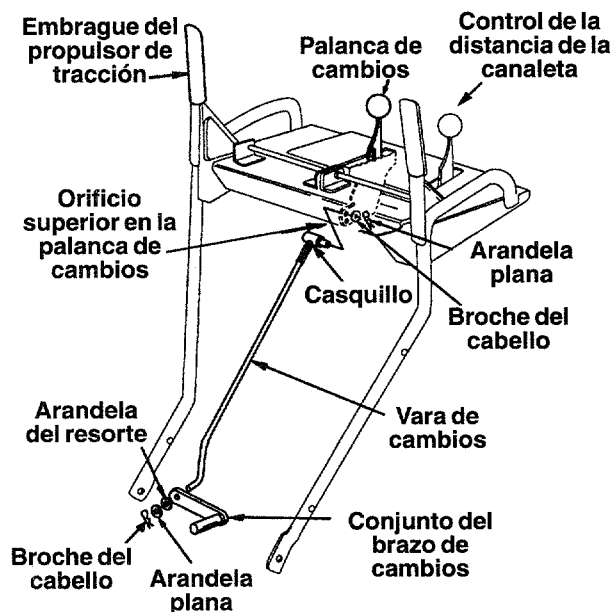


Figura 22

- Inserte el casquillo dentro del orificio superior de la palanca de cambios desde el lado derecho cuando el ajuste es correcto. Asegure con la arandela plana y el broche del cabello.
- Inspeccione por el ajuste correcto del control del propulsor de tracción según instruido en la sección de Ajuste Final de la página 4 antes de operar el expulsor de nieve.

Carburador



ADVERTENCIA: Si se efectúan ajustes al motor mientras está funcionando (por ej. el carburador), **manténgase alejado** de todas las piezas móviles. Sea precavido con respecto a superficies calientes y al silenciador.

Consulte con su Estación Autorizada de Servicio Tecumseh más cercana, si piensa que el carburador requiere ajustes.

Extracción Y Reemplazo De La Correa



ADVERTENCIA: Desconecte el conductor de la bujía de la bujía y de la conexión a tierra.

Correas De La Hélice

- Para extraer y reemplazar la correa propulsora posterior o delantera, proceda como sigue.
- Desconecte la manivela de la canaleta del conjunto de la canaleta extrayendo el perno prisionero y la arandela plana.
- Extraiga la cubierta plástica de la correa en la parte delantera del motor extrayendo los dos tornillos autoroscantes. Vea la figura 23.

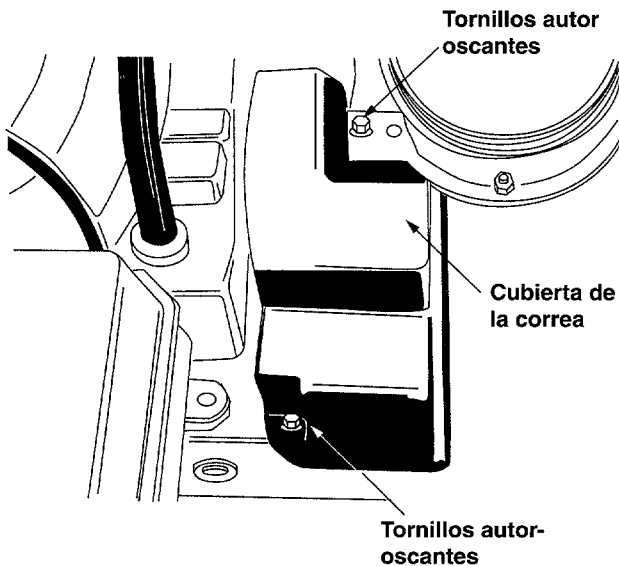


Figura 23

- Desenrosque el fondo del cable de la hélice del tope del cable, dejando la tuerca hexagonal en su lugar.
- Extraiga los seis pernos hexagonales, arandelas de seguridad y tuercas hexagonales que fijan el conjunto

del armazón de la hélice al armazón. Vea la figura 24.

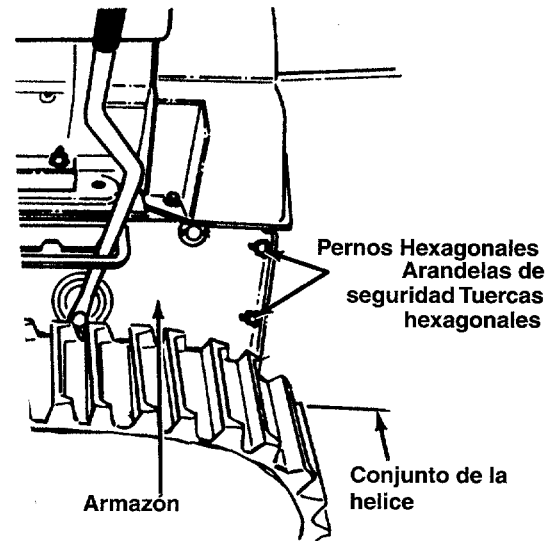


Figura 24

- Separe el armazón del conjunto del armazón parándose en la posición operativa y levantando de los mangos. El armazón y la armadura se separarán, y la correa propulsora posterior de la hélice saldrá de la polea. Vea la figura 25.
- Para extraer la polea propulsora delantera, empuje la polea intermedia hacia la izquierda y levante la polea propulsora delantera, de la polea delantera de la hélice. Vea la figura 25. Reemplace ambas correas propulsoras de la hélice siguiendo las instrucciones en orden inverso.

NOTA: Al volver a ensamblar las dos mitades de la unidad, asegúrese que el cable propulsor de la hélice esté encaminado a través de la guía del rodillo del cable.

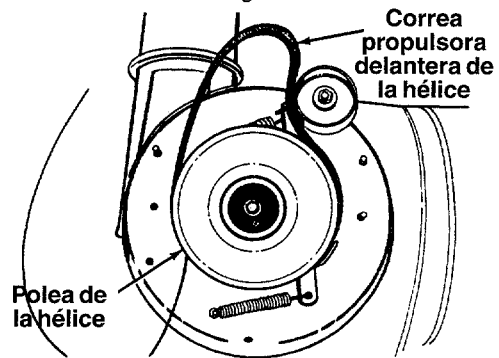


Figura 25

Correa Propulsora

- Extraiga la cubierta plástica de la correa en la parte delantera del motor extrayendo los dos tornillos autoroscantes. Vea la figura 23.
- Drene la gasolina del expulsor de nieve o coloque un trozo de plástico debajo de la tapa de gasolina.
- Incline hacia arriba y adelante el expulsor de nieve de manera que se apoye sobre la armadura.
- Extraiga los cuatro tornillos autoroscantes de la cubierta

del armazón debajo del expulsor de nieve.

- Tirando hacia arriba de la polea intermedia, ruede la correa fuera de las poleas intermedia y del motor y levante la correa del disco de la rueda de fricción.
- Retroceda el perno tope hasta que la ménsula de soporte se apoye sobre la polea de la hélice. Vea la figura 26.

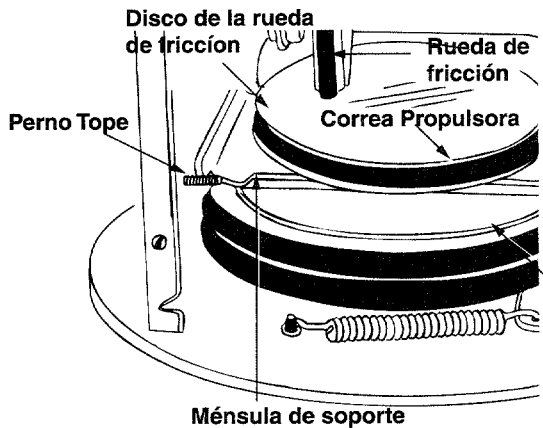


Figura 26

- Deslice la correa entre la rueda de fricción y la placa del disco de fricción. Vea la figura 26. Vuelva a ensamblar siguiendo las instrucciones en orden inverso.

NOTA: La ménsula de soporte debe apoyarse sobre el perno tope después de haberse ensamblado la nueva correa. Vea la figura 26.

Placa Raspadoras Y Zapatas Deslizantes

La placa raspadora y las zapatas deslizantes al fondo del expulsor de nieve están sujetos a desgaste. Los mismos deben inspeccionarse periódicamente y reemplazarlos cuando sea necesario.

- Para extraer las zapatas deslizantes, extraiga los cuatro pernos del carro, arandelas belleville y tuercas hexagonales que las fijan al expulsor de nieve.
- Reensamble las nuevas zapatas deslizantes con los cuatro pernos del carro, arandelas belleville (el lado acopado se coloca contra las zapatas deslizantes) y tuercas hexagonales. Asegúrese que las zapatas deslizantes estén ajustados para estar nivelados.
- Para extraer la placa raspadora, extraiga los pernos del carro, arandelas belleville y tuercas hexagonales que la fijan al armazón del expulsor de nieve. Reensamble la nueva placa raspadora, asegurándose que las cabezas de los pernos del carro estén del lado interno del armazón. Ajuste seguramente.

Goma De La Rueda De Friccion

La goma de la rueda de fricción está sujeta a desgaste y debe inspeccionarse después de 25 horas de operación y periódicamente después. Si halla señales de desgaste o agrietamiento, reemplace la goma de la rueda de fricción.

- Drene la gasolina del expulsor de nieve, o coloque un trozo de plástico debajo de la tapa de gasolina.
- Inclíne el expulsor de nieve hacia arriba y hacia

adelante, de manera que se apoye sobre la armadura.

- Extraiga los cuatro tornillos autoroscantes de la cubierta del armazón debajo del expulsor de nieve.
- Usando una llave de 7/8" para sujetar el eje, afloje, pero no extraiga completamente el perno hexagonal y la arandela acampanada del extremo izquierdo del eje. Vea la figura 27.

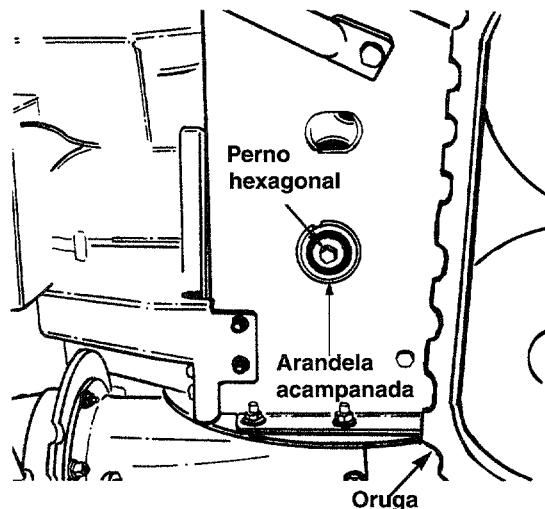


Figura 27

- Mueva la palanca de transferencia de peso a la posición de nieve compactada. Refiérase a la figura 16.
- Golpee suavemente la cabeza del perno para desprender el rodamiento a bolillas del lado derecho del armazón, a continuación extraiga el perno hexagonal y la arandela acampanada del extremo izquierdo del eje.
- Deslizando el eje hacia la derecha, extraiga el separador, piñón y el conjunto de la rueda de fricción del eje. Vea la figura 28.
- Extraiga los seis tornillos del conjunto de la rueda de fricción (tres de cada lado). Extraiga la goma de la rueda de fricción situada entre la placa de la rueda de fricción.
- Vuelva a ensamblar la nueva goma de la rueda de fricción al conjunto de la rueda de fricción, ajustando los seis tornillos en rotación y con igual fuerza.
- Coloque en posición el conjunto de la rueda de fricción sobre la clavija del conjunto de la vara de cambios y deslice el eje a través de la rueda de fricción. Vea la figura 28.
- Deslice el eje dentro del D.I. hexagonal del piñón, el separador, y el rodamiento a bolillas izquierdo, y asegure con la arandela acopada y el perno hexagonal.

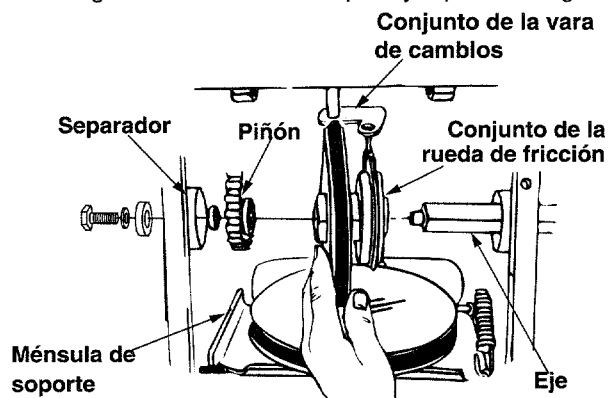


Figura 28

ALMACENAMIENTO DE FUERA DE TEMPORADA



ADVERTENCIA: Nunca almacene el motor con combustible en el tanque, bajo techo o en áreas mal ventiladas, donde los humos del combustible pueden llegar a una llama expuesta, chispas o una llama piloto ni sobre una cocina, calentador de agua, secador de ropas ni otros artefactos a gas.

Preparación del motor

Si la unidad va a almacenarse por más de 30 días, prepare para almacenamiento como sigue:



Es importante evitar que se formen depósitos de goma en las partes esenciales del sistema de combustible del motor tales como el carburador, filtro de combustible, manguera de combustible o tanque durante el almacenamiento. También, la experiencia indica que los combustibles mezclados con alcohol (llamados gasohol o usando etanol o metanol) pueden atraer humedad que conduce a la separación y formación de ácidos durante el almacenamiento. El gas ácido puede averiar el sistema de combustible de un motor mientras esté en almacenamiento.

- Extraiga toda la gasolina del carburador y del tanque de combustible para prevenir que se formen depósitos de goma sobre esas piezas y causando un mal funcionamiento posible del motor.
- Haga funcionar el motor hasta que se vacíe el tanque de combustible y el motor se apague debido a la falta de combustible.
- Drene el carburador presionando hacia arriba sobre el drenaje del tazón, ubicado debajo de la cubierta del carburador.

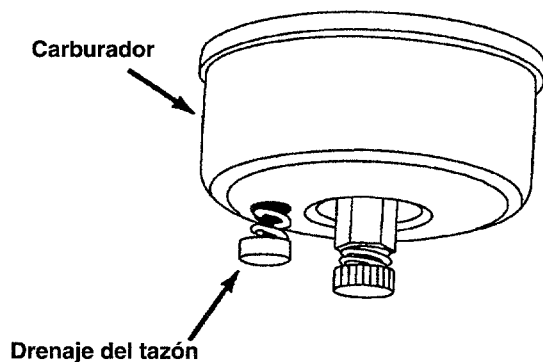


Figura 29



ADVERTENCIA: Drene el combustible dentro de un recipiente aprobado al aire libre, alejado de las llamas expuestas. Asegúrese que el motor esté frío. No fume.

El combustible dejado en el motor durante el tiempo caluroso se deteriora y causa problemas graves de arranque.

NOTA: El estabilizador de combustible (tal como STA-BIL) es una alternativa aceptable para minimizar la formación de depósitos de goma de combustible durante el almacenamiento. Siga siempre la relación de mezcla indicada en el recipiente del estabilizador. Haga funcionar el motor por 10 minutos por lo menos después de agregar estabilizador para permitirle que llegue al carburador. No drene el carburador si usa estabilizador de combustible.



ADVERTENCIA: Drene el combustible dentro de un recipiente aprobado al aire libre, alejado de las llamas expuestas. Asegúrese que el motor esté frío. No fume.

El combustible dejado en el motor durante el tiempo caluroso se deteriora y causa problemas graves de arranque.



ADVERTENCIA: Si usa estabilizador de combustible, no drene el carburador. Nunca use productos limpiadores de motor o carburador en el tanque de combustible ya que pueden ocurrir daños permanentes.

NOTA: El estabilizador de combustible (tal como STA-BIL) es una alternativa aceptable para minimizar la formación de depósitos de goma de combustible durante el almacenamiento. Siga siempre la relación de mezcla indicada en el recipiente del estabilizador. Haga funcionar el motor por 10 minutos por lo menos después de agregar estabilizador para permitirle que llegue al carburador. No drene el carburador si usa estabilizador de combustible.

- Extraiga la bujía y vierta una (1) onza de aceite de motor a través del orificio de la bujía dentro del cilindro. Intente arrancar el motor varias veces para distribuir el aceite. Vuelva a colocar la bujía.

Preparación del Expulsor de Nieve

- Al almacenar cualquier tipo de equipo motorizado en un galpón de almacenamiento no ventilado o de metal, debe tenerse cuidado en proteger el equipo contra la oxidación. Recubra el equipo, usando un aceite liviano o siliconas, especialmente las cadenas, resortes, rodamientos y cables.
- Limpie toda la suciedad del exterior del motor y del equipo.
- Siga las recomendaciones de lubricación en la página 17-18.
- Almacene en un área limpia y seca.

TABLA DE LOCALIZACION DE FALLAS

Problema	Causa(s) posible	Accion Correctora
El motor no arranca	<ol style="list-style-type: none"> 1. Tanque de combustible vacío, o combustible rancio. 2. Está cerrada la válvula de corte del combustible. 3. La llave no está en el interruptor del motor. 4. Está desconectado el cable de la bujía. 5. Está bloqueada la tubería del combustible. 6. Bujía defectuosa. 	<ol style="list-style-type: none"> 1. Llene el tanque con combustible limpio y fresco. 2. Abra la válvula de corte.. 3. Inserte la llave. 4. Conecte el cable a la bujía. 5. Limpie la tubería de combustible. 6. Limpie, ajuste la separación o reemplace.
Funcionamiento errático del motor	<ol style="list-style-type: none"> 1. La unidad está funcionando en CHOKE. 2. La tubería de combustible está bloqueada o combustible rancio. 3. Agua o combustible en el sistema 4. El carburador está desajustado. 	<ol style="list-style-type: none"> 1. Mueva la palanca del regulador a la posición OFF. 2. Limpie la tubería de combustible; llene el tanque con gasolina limpia y fresca. 3. Use el drenaje del tazón del carburador para drenar el tanque de combustible de combustible. Llene con combustible fresco. 4. Ajuste el carburador. Vea el manual separado del motor.
Pérdida de potencia	<ol style="list-style-type: none"> 1. Está flojo el cable de la bujía. 2. Está obstruido el orificio de ventilación de la tapa. 	<ol style="list-style-type: none"> 1. Conecte y ajuste el cable de la bujía. 2. Elimine el hielo y la nieve de la tapa. Asegúrese que esté libre el orificio de ventilación.
El motor se sobrecalienta	<ol style="list-style-type: none"> 1. Está bajo el nivel de aceite. 2. El carburador no está ajustado adecuadamente. 	<ol style="list-style-type: none"> 1. Llene el cárter con aceite correcto. 2. Ajuste el carburador. Vea el manual separado del motor.
Demasiada vibración	<ol style="list-style-type: none"> 1. Piezas flojas o hélice dañada. 	<ol style="list-style-type: none"> 1. Apague inmediatamente el motor y desconecte el cable de la bujía. Ajuste todos los pernos y tuercas. Efectúe todas las reparaciones necesarias. Si continúa la vibración, haga que se preste servicio a la unidad en un concesionario autorizado de servicio.
Difícil de cambiar, o no se puede cambiar	<ol style="list-style-type: none"> 1. La vara de cambio está mal ajustada. 	<ol style="list-style-type: none"> 1. Reajuste la vara de cambios. Vea la sección de Ajustes de este manual.
La unidad falla en la propulsión	<ol style="list-style-type: none"> 1. Ajuste incorrecto del embrague propulsor. 2. La correa propulsora está floja o dañada. 	<ol style="list-style-type: none"> 1. Ajuste el embrague propulsor. Refiérase a la sección de Ajustes. 2. Vuelva a colocar la correa propulsora. Refiérase a la sección de Mantenimiento.
La unidad falla en descargar nieve	<ol style="list-style-type: none"> 1. Está roto el perno de corte de la hélice. 2. La canaleta de descarga está taponada. 3. Hay materia extraña depositada en la hélice. 4. Ajuste incorrecto del embrague del propulsor de la hélice. 5. La correa del propulsor de la hélice está floja o dañada. 	<ol style="list-style-type: none"> 1. Reemplace el perno de corte de la hélice. Refiérase a la sección de Mantenimiento. 2. Apague inmediatamente el motor y desconecte el cable de la bujía. Limpie la canaleta de descarga y el interior del armazón de la hélice. 3. Apague inmediatamente el motor y desconecte el cable de la bujía. Extraiga el objeto de la hélice. 4. Ajuste el embrague de la hélice. Refiérase a la sección de Ajuste. 5. Vuelva a colocar la correa propulsora de la hélice. Refiérase a la sección de Mantenimiento.
La oruga no gira	<ol style="list-style-type: none"> 1. No está insertado el control de la oruga. 2. Baje el soporte del cable (no. 52 en la página 24) sin que esté completamente en posición contra a caja de engranajes. 	<ol style="list-style-type: none"> 1. Inserte completamente el cable dentro del conjunto del gatillo. 2. Afloje los dos tornillos autoroscantes a cada lado del soporte. Reajuste asegurándose que el perno esté completamente colocado en el fondo de la ranura.
La palanca de cambios no calza en la posición de 6a. velocidad.	<ol style="list-style-type: none"> 1. La varilla de cambios está desajustada. 	<ol style="list-style-type: none"> 1. Extraiga la arandela y el broche de cabello. Gire el casquillo una vuelta en el sentido de las agujas del reloj y vuelva a instalar.

NOTA: Por favor consulte con su Centro de Servicio SEARS más cercano, para reparaciones diferentes a los ajustes menores listados arriba. Al final de la versión en inglés de este manual, se incluye una lista completa de piezas de repuesto para su expulsor de nieve Sears.

Sears se complace en ofrecer a sus clientes servicio de reparación de aparatos electrodomésticos y electrónicos de todas las marcas.

En Sears, usted puede contar con operadores en español, a los que puede llamar sin cargo alguno.

Para pedir servicio de reparación a domicilio,

Llame 24 horas al día, 7 días a la semana

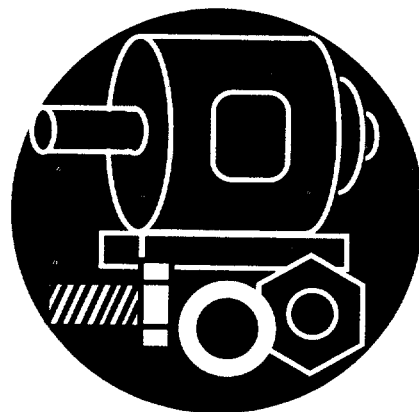
1 800-676-5811



Para ordenar piezas con entrega a domicilio,

Llame de 7 am a 7 pm, 7 días a la semana

1 800-659-7084



SEARS
REPAIR SERVICES